



#FERGUSON HOME

1920 E Linda Vista Ave Plumbing
Luc Germann
830 E Santa Clara St
Ventura, CA 93001

fergusonhome.com

Kitchen

Moen 7622SRS	2
Moen S5530SRS	2
Elkay ECTRU30179RTC	2
InSinkErator BADGER5XPWC	2
Moen 105895SRS	3
InSinkErator FLG-SS	3
Product Documentation Cover Sheet	4
Spec Sheets	5

1/2 Bath

Moen 6221BN	10
American Standard 2989101.02	10
Product Documentation Cover Sheet	11
Spec Sheets	12

Primary

Moen 6221BN	15
Moen UT3331BN	15
Moen U232CXS	15
Moen 137488BN	15
Moen 123815BN	16
Moen S11705EPBN	16
Moen A725BN	16
Infinity Drain WD 4-2A SS	16
Hydrosystems SYD6636ATO-WHI-LH	17
Signature Hardware SH622ZBN	17
Moen UT2261BN	17
Moen U140CXS	17
Moen 3347BN	18
TOTO MW4424726CEFG#01	18
Product Documentation Cover Sheet	19
Spec Sheets	20

Downstairs Bath 1&2

Moen 6145BN	67
Moen T3002EPBN	67
Moen 62385	67
Infinity Drain LND4-2A SS	67
American Standard 2989101.02	68
Product Documentation Cover Sheet	69
Spec Sheets	70

Kitchen



Moen 7622SRS

Cia 1.5 GPM Single Hole Pull Down Kitchen Faucet

Finish: Spot Resist Stainless

Qty: 1

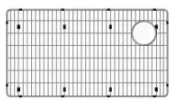


Moen S5530SRS

Sip 1.5 GPM Single Hole Cold Water Dispenser

Finish: Spot Resist Stainless

Qty: 1



Elkay ECTRU30179RTC

Crosstown 31-1/2" Undermount Single Basin Stainless Steel Kitchen Sink with Basin Rack and Basket Strainer

Finish: Stainless Steel

Qty: 1



InSinkEerator BADGER5XPWC

Badger 3/4 HP Continuous Feed Garbage Disposal

Finish: Power Cord Included

Qty: 1



Moen 105895SRS

Plastic and Metal Air Gap

Finish: Spot Resist Stainless

Qty: 1



InSinkErator FLG-SS

Garbage Disposal Flange

Finish: Stainless Steel

Qty: 1

Items In Kitchen	Spec Sheets
Moen 7622SRS	✓
Moen S5530SRS	✓
Elkay ECTRU30179RTC	✓
InSinkErator BADGER5XPWC	✓
Moen 105895SRS	✓
InSinkErator FLG-SS	✓

DESCRIPTION

- Power Boost™ Spray Technology provides boosted water performance with the push of a button
- Reflex™ pulldown system offers smooth operation, easy movement and secure docking
- Metal construction with various finishes identified by suffix
- Duralock™ quick connect system
- Pulldown spray with 68" braided hose
- Flexible supply lines with 3/8" compression fittings
- High arc spout provides height and reach to fill or clean large pots while pulldown wand provides the maneuverability for cleaning or rinsing
- 360° rotating spout

OPERATION

- Lever style handle
- Operates with less than 5 lbs. of force
- Operates in stream or spray mode in the docked or retracted position
- Temperature controlled by 100° arc of handle travel

FLOW

- Flow is limited to 1.5 gpm (5.7 L/min) at 60 psi

CARTRIDGE

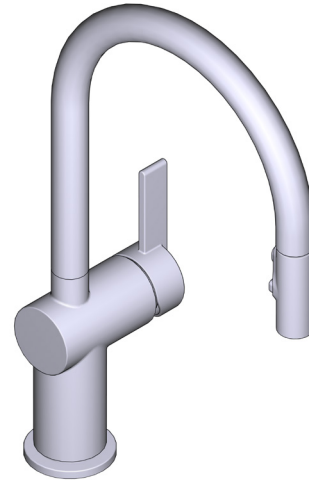
- 1255™ Duralast™ cartridge for Single-Handle Faucets
- Engineered polymers, non-ferrous and stainless steel materials

STANDARDS

- Third party certified to IAPMO Green, ASME A112.18.1/CSA B-125.1 and all applicable requirements referenced therein including NSF 61/9 & 372
- Meets CalGreen and Georgia SB370 requirements
- Complies with California Proposition 65 and with the Federal Safe Drinking Water Act
- ADA for lever handle
- The backflow protection system in this device consists of two independently operating check valves, a primary and a secondary which prevent backflow

WARRANTY

- Lifetime limited warranty against material or manufacturing defects to the original homeowner
- 10 year limited warranty when used in a multifamily installation
- 5 year limited warranty when used in a commercial installation
- Visit www.moen.com/support for complete details and limitations



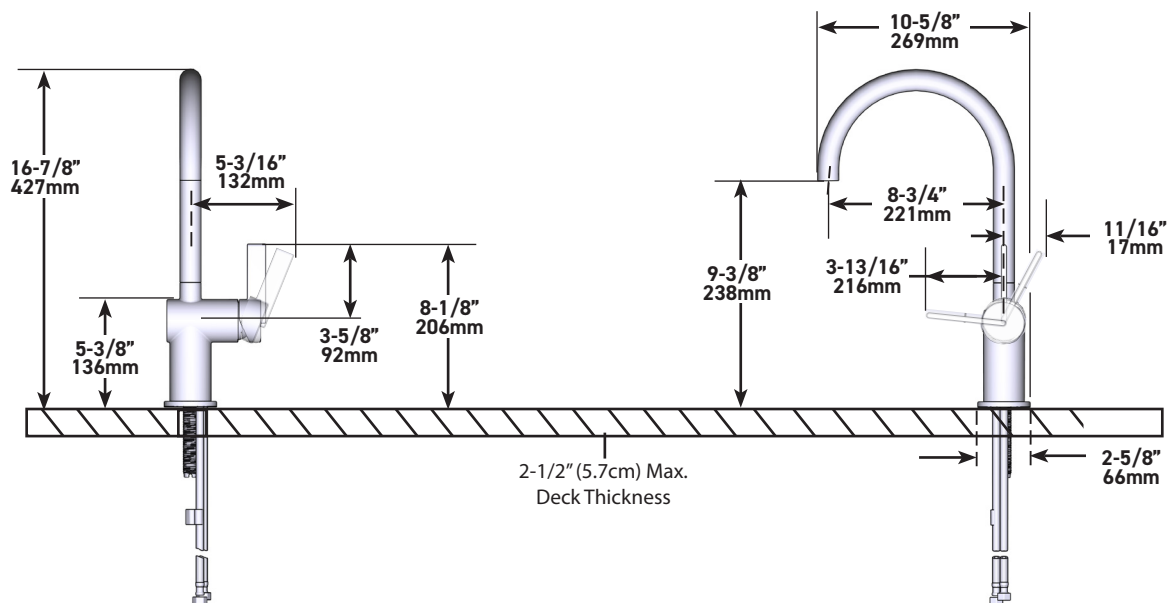
Cia™

Single Handle High Arc Pulldown Kitchen Faucet

MODELS: 7622 SERIES

NOTE:

THIS FAUCET IS DESIGNED TO BE INSTALLED THROUGH 1 OR 3 HOLES, 1-1/2" (38mm) MIN. DIA.



CRITICAL DIMENSIONS DO NOT SCALE

FACUET DESCRIPTION

- Metal construction with various finishes identified by suffix.
- 3/8" compression inlet connection
- Compatible with S5500 Filtering System

OPERATION

- Lever style handle
- Will operate with less than 5 lbs. of force


FLOW

- Flow is limited to 1.5 gpm

CARTRIDGE

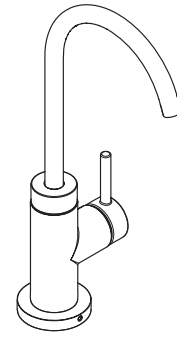
- 1234 Duralast™ cartridge

STANDARDS

- Third party certified to ASME A112.18.1/CSA B-125.1 and all applicable requirements referenced therein including NSF 61/9 & 372
- Complies with California Proposition 65 and with the Federal Safe Drinking Water Act
- Meets CalGreen and Georgia SB370 requirements
- **ADA**  for lever handle

WARRANTY

- Lifetime limited warranty against leaks, drips and finish defects to the original homeowner
 - 10 year limited warranty when used in a multifamily installation
 - 5 year limited warranty when used in a commercial installation
- Visit www.moen.com/support for complete details and limitations

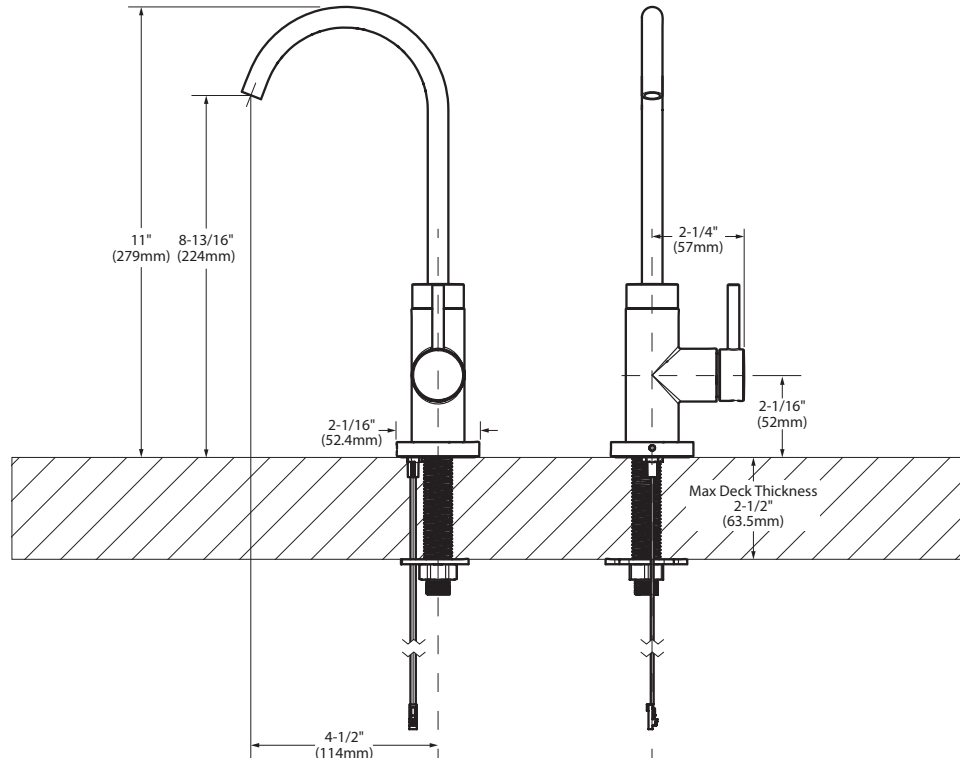


SIP™

Modern Beverage Faucet

Models: S5530 Series

NOTE: DESIGNED TO INSTALL THROUGH
1 HOLE, 1-1/4" (32MM) MIN. DIA.



CRITICAL DIMENSIONS

(DO NOT SCALE)

PRODUCT SPECIFICATIONS

Elkay Crosstown® Stainless Steel 31-1/2" x 18-1/2" x 9", Single Bowl Undermount Sink Kit. Sink is manufactured from 18 gauge 304 Stainless Steel with a Polished Satin finish, Rear Right drain placement, and Sound Guard.

Installation Type:	Undermount
Material:	304 Stainless Steel
Finish:	Polished Satin
Gauge:	18
Sound Deadening:	Sound Guard
Number of Bowls:	1
Sink Dimensions:	31-1/2" x 18-1/2" x 9"
Bowl 1 Dimensions:	30" x 17" x 9"
Drain Size:	3-1/2" (89mm)
Drain Location:	Rear Right
Minimum Cabinet Size:	36"
Mounting Hardware:	Part # 54300008 included
Template Included:	Yes
Cutout Template #:	1000001381

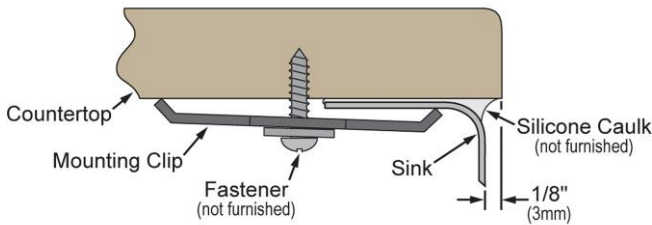
Template is available for download at [elkay.com](#)



Included with Product: Custom fit bottom grid, deep strainer drain, Bar Keeper's Friend cleanser, microfiber towel, all packed in an Elkay protective cloth bag.

Installation Profile:

1/8" OVERHANG



Designed to affix to the underside of any solid surface countertop.

OPTIONAL ACCESSORIES

Cutting Board:	LKCBF17HW
Faucet:	LK3000CR, LK3001CR, LK5000CR, LK5000LS, LK6000CR, LK6000LS
Hardware:	LKUCLIP8

AMERICAN PRIDE. A LIFETIME TRADITION.

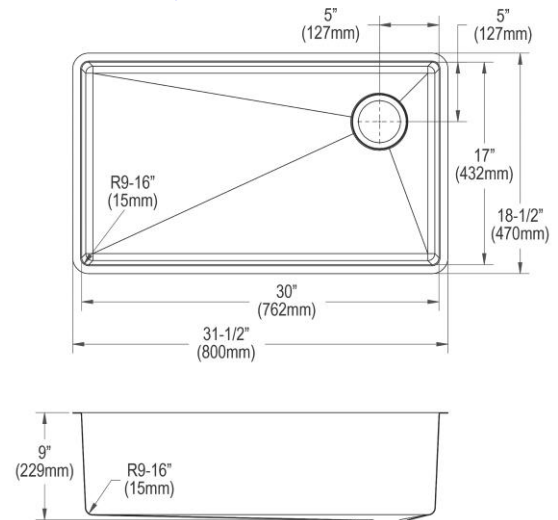
Like your family, the Elkay family has values and traditions that endure. For almost a century, Elkay has been a family-owned and operated company, providing thousands of jobs that support our families and communities.

Product Compliance: ASME A112.19.3/CSA B45.4
Accessory: ASME A112.18.2/CSA B125.2



Sinks are listed by IAPMO® as meeting the applicable requirements of the Uniform Plumbing Code®, International Plumbing Code®, and National Plumbing Code of Canada.

[Clean and Care Manual \(PDF\)](#)
[Installation Instructions \(PDF\)](#)
[Limited Lifetime Warranty \(PDF\)](#)



PART: _____ QTY: _____
PROJECT: _____
CONTACT: _____
DATE: _____
NOTES: _____
APPROVAL: _____

In keeping with our policy of continuing product improvement, Elkay reserves the right to change product specifications without notice. Please visit [elkay.com](#) for the most current version of Elkay product specification sheets. This specification describes an Elkay product with design, quality, and functional benefits to the user. When making a comparison of other producers' offerings, be certain these features are not overlooked.

BADGER® SERIES

Badger 5XP®



Submittal Sheet

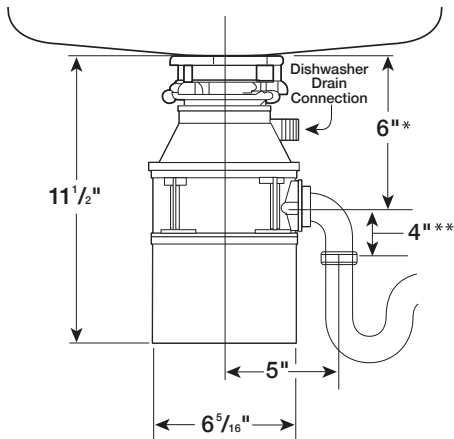
This model offers the following features and benefits:

- 3/4 HP heavy duty Dura-Drive® induction motor
- 1-Stage grind for a dependable grind for most food scraps
- Lift & Latch® Technology simplifies installation so the disposal can be attached with two hands
- Rust Resistant stainless steel grind components
- 3D Grind Zone is a specially engineered grind chamber that keeps food in the grind zone and directs water to rinse chamber walls

Specifications

Type of Feed	Continuous
On/Off Control	Wall Switch
Motor	Single Phase
HP	3/4
Volts	120
HZ	60
Amp. (Avg. Load)	9.5
Time Rating	Intermittent
Lubrication	Permanently Lubricated Upper & Lower Bearings
Shipping Weight (Approx.)	15 lbs. 2 oz. (without cord) 15 lbs. 6 oz. (with cord)
Overall Height	12-5/8"
Grind Chamber Capacity	26 oz.
Motor Protection	Manual Reset Overload
Drain Connection	1-1/2" Cushioned Slip Joint
Dishwasher Drain Connection	Yes
Factory Installed Power Cord	Available with or without

Dimensions



* Distance from bottom of sink to center line of disposer outlet. Add 1/2" when stainless steel sinks are used.

** Length of tailpipe from center line of disposer outlet to end of tailpipe. NOTE: Plumb waste line to prevent standing water in disposer motor housing.

Sample Specification

Food Waste Disposer(s) shall be InSinkErator Badger 5XP®, continuous feed, with 3/4 HP motor, stainless steel grinding elements with two stainless steel 360° swivel lugs. Self-service wrench.

Warranty

6-Year We Come to You® In-Home Limited Warranty¹

¹ Visit www.insinkerator.com for warranty details.



Food waste is roughly 60-95% water. By using your disposal regularly, you can help divert food waste from landfills and reduce greenhouse gas emissions. Many wastewater treatment plants are capable of converting food waste processed by your garbage disposal into renewable energy and beneficial fertilizer. Make sustainability a family affair by using your disposal. After all, the smallest changes can make the biggest impact.

Job Specifications

1-800-558-5700
www.insinkerator.com



DESCRIPTION

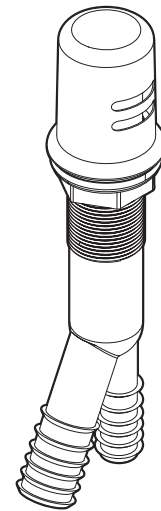
- Metal construction with various finishes identified by suffix

STANDARDS

- Third-party certified to IAPMO PS 23 and applicable requirements referenced therein

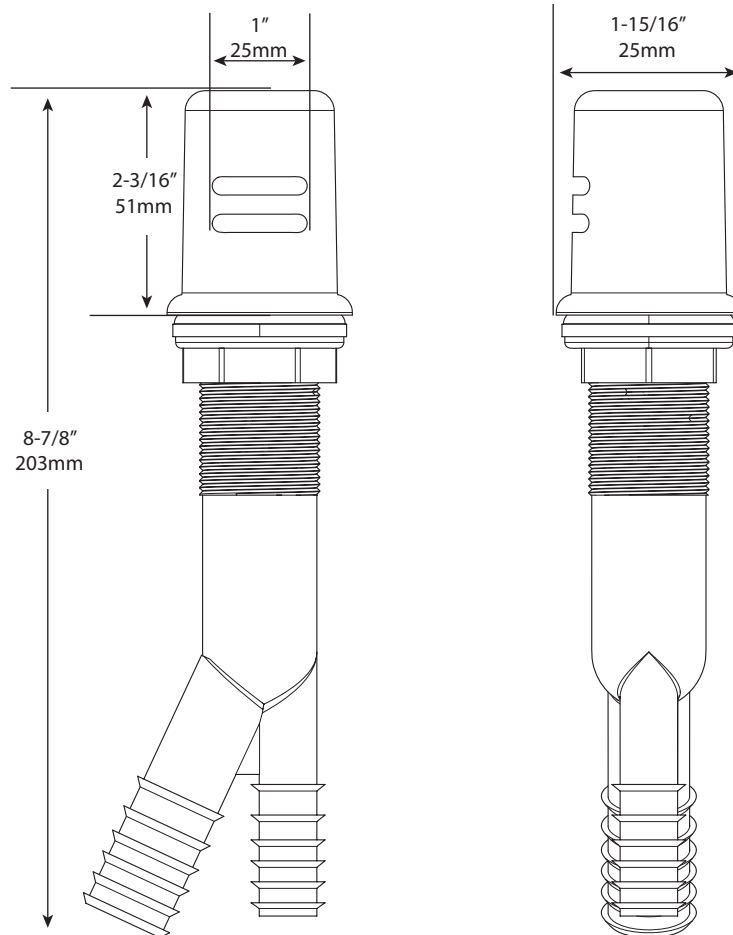
WARRANTY

- Lifetime limited warranty against leaks, drips and finish defects to the original homeowner
 - 10 year limited warranty when used in a multifamily installation
 - 5 year limited warranty when used in a commercial installation
- Visit www.moen.com/support for complete details and limitations



Air Gap

Models: 105895 series



CRITICAL DIMENSIONS

(DO NOT SCALE)

1/2 Bath



Moen 6221BN

Cia 1.2 GPM Single Hole Bathroom Faucet with Lift Rod Drain Assembly

Finish: Brushed Nickel

Qty: 1



American Standard 2989101.02

Cadet 3 Elongated Two-Piece Toilet with Concealed Trapway, EverClean Surface, PowerWash Rim and Right Height Bowl - Includes Slow-Close Seat

Finish: White

Qty: 1

Items In 1/2 Bath	Spec Sheets
Moen 6221BN	✓
American Standard 2989101.02	✓

DESCRIPTION

- Metal construction with various finishes identified by suffix
- Flexible supply lines with 3/8" compression fittings
- Includes metal lift rod drain assembly
- Includes optional 3 hole deck plate (escutcheon)
- Includes Red/Blue Temperature Indicators

OPERATION

- Lever style handle, installed on right hand side only
- Temperature controlled by 100° arc of handle travel

FLOW

- Water usage is limited to these maximum flow rates as indicated by the corresponding product markings
 - 1.2 gpm max (4.5L/min) at 60 psi

CARTRIDGE

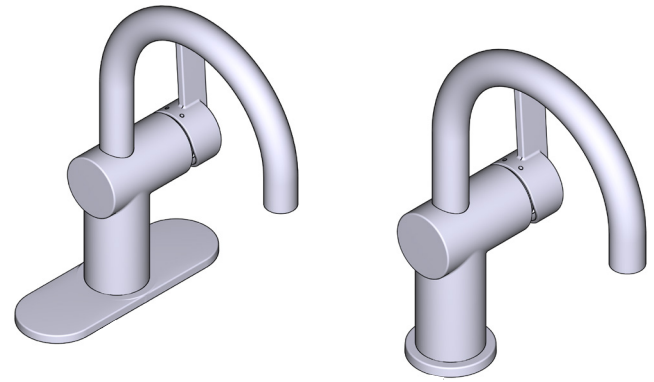
- 1255™ Duralast™ cartridge
- Nonmetallic/nonferrous and ceramic material

STANDARDS

- Third party certified to WaterSense®, ASME A112.18.1/CSA B125.1, and all applicable requirements referenced therein
- Certified to NSF 61/9 & 372
- Products marked with 1.2 gpm are compliant with California water efficiency regulations
- Complies with California Proposition 65 and with the Federal Safe Drinking Water Act
- **ADA** for lever handle

WARRANTY

- Lifetime limited warranty against leaks, drips and finish defects to the original homeowner
- 10 year limited warranty when used in a multifamily installation
- 5 year limited warranty when used in a commercial installation
- Visit www.moen.com/support for complete details and limitations



CIA™

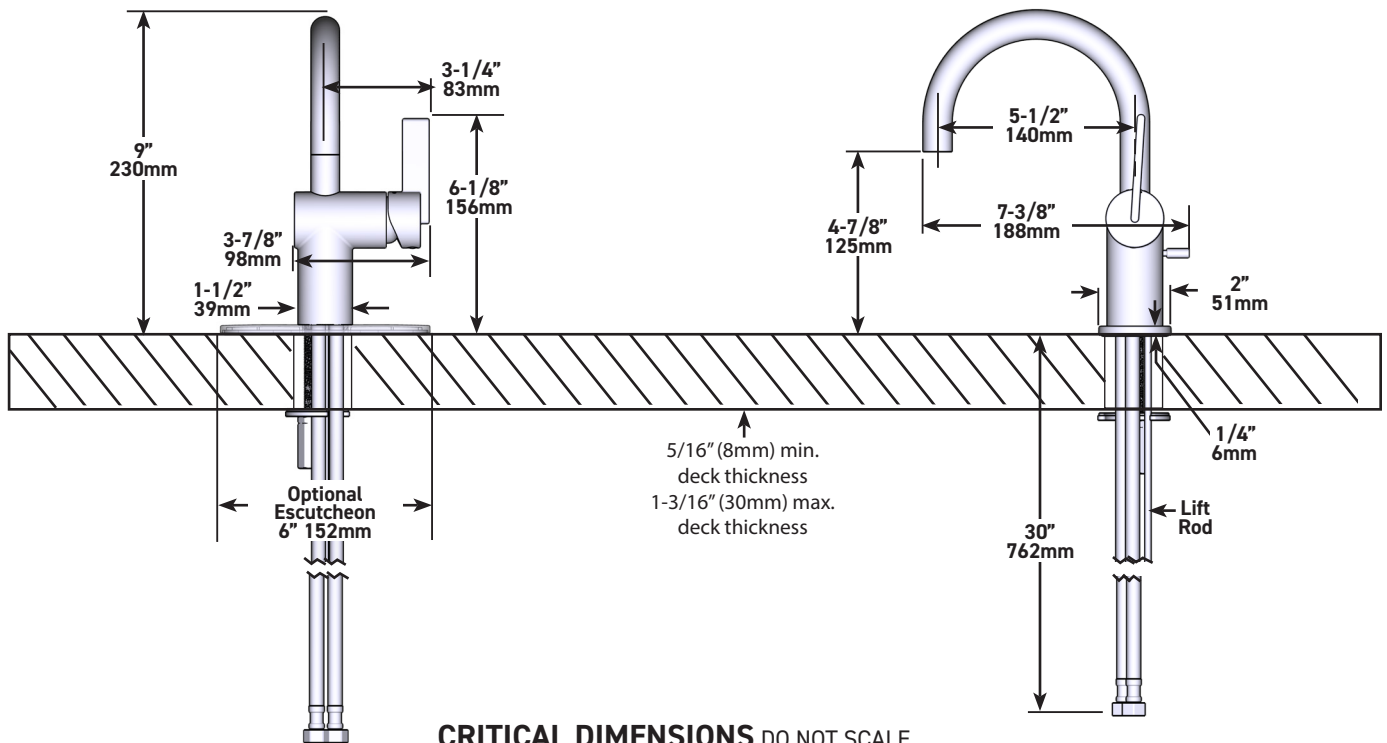
Single-Handle Lavatory Faucet

MODELS: 6221 Series

NOTE:

THIS FAUCET IS DESIGNED TO BE INSTALLED THROUGH 1 OR 3 HOLES, 1-1/4" (32mm) MIN. DIA.

ADA 



**CONCEALED TRAPWAY CADET® 3 FloWise®
RIGHT HEIGHT™ ELONGATED TOILET**

- 2989.101**
 - Vitreous china
 - Meets definition for HET (High Efficiency Toilet)
 - High efficiency (4.8 Lpf/1.28 gpf)
 - Meets EPA WaterSense® criteria
 - 305mm (12") rough-in
 - 16-1/2" rim height for accessible applications
 - EverClean® surface inhibits the growth of stain- and odor-causing bacteria, mold, and mildew on the surface
 - Features the **Cadet® 3 Flushing System**
 - Elongated siphon action jetted bowl with smooth-sided, concealed trapway
 - Generous 9" x 8" water surface area
 - PowerWash™ rim scrubs bowl with pressurized water every flush
 - Oversized 3" flush valve
 - Chrome-plated trip lever
 - Includes top mounting, plastic Slow-Close seat and cover with easy lift-off feature for simple removal and attachment for cleaning, packed with bowl
 - 2 color-matched bolt hole covers
 - 100% factory flush tested
 - Lifetime warranty on chinaware, 5 year warranty on all mechanical parts, and 1 year warranty on seat

- 3075.000** Right Height™ Elongated Bowl with Seat
- 4000.101** Tank

Nominal Dimensions:

768 x 400 x 768mm
(30-1/4" x 15-3/4" x 30-1/4")

Fixture and toilet seat only, supply by others

Compliance Certifications -

Meets or Exceeds the Following Specifications:

- ASME A112.19.2-2008/CSA B45.1-08 for Vitreous China Fixtures
- US EPA WaterSense® Specification for HET's

To Be Specified:

- Color: White
- Supply with stop:



MEETS THE AMERICANS WITH DISABILITIES ACT GUIDELINES AND ANSI A117.1 REQUIREMENTS FOR ACCESSIBLE AND USABLE BUILDING FACILITIES-CHECK LOCAL CODES.

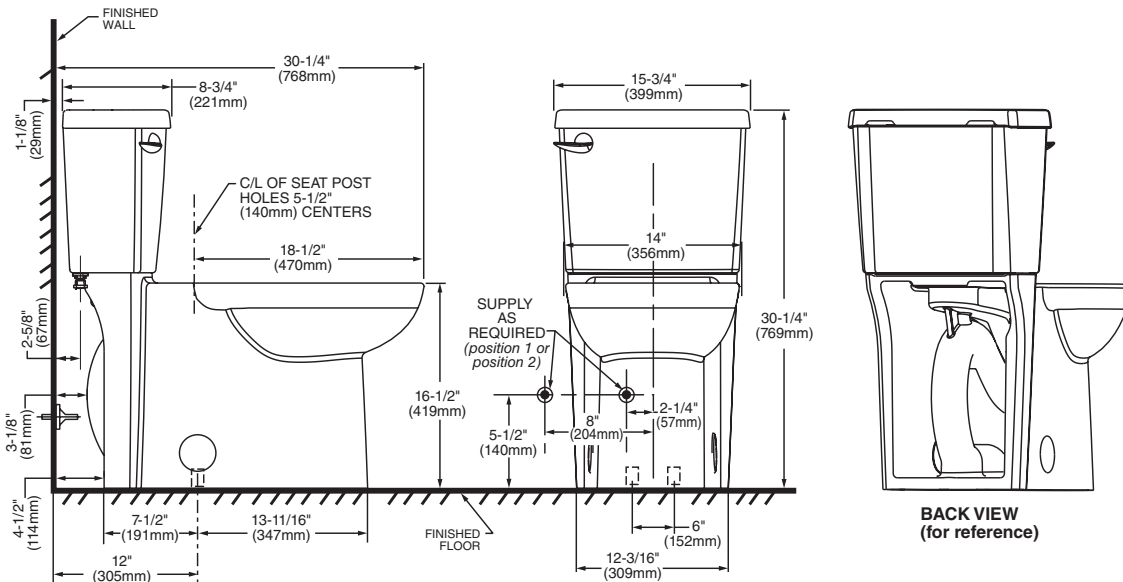


SEE REVERSE FOR ROUGHING-IN DIMENSIONS



CADET® 3
Flushing System

**CONCEALED TRAPWAY CADET® 3 FloWise®
RIGHT HEIGHT™ ELONGATED TOILET**
VITREOUS CHINA



IMPORTANT: Water supply on the wall is required at 2-1/4" or 8" from centerline of the toilet (see rough-in). First suggested position is hidden behind the toilet. The geometry of the toilet gives space for this installation. The second suggested position is next to the toilet. Between these two positions, the space for the supply between wall and toilet is limited to 4-1/2". In this case, check your supply and hose dimensions.

NOTES:

THIS COMBINATION IS DESIGNED TO ROUGH-IN AT A MINIMUM DIMENSION OF 305MM (12") FROM FINISHED WALL TO C/L OF OUTLET.
* DIMENSIONS SHOWN FOR LOCATION OF SUPPLY ARE SUGGESTED.
SUPPLY NOT INCLUDED WITH FIXTURE AND MUST BE ORDERED SEPARATELY.

IMPORTANT: Dimensions of fixtures are nominal and may vary within the range of tolerance established by ANSI Standard A112.19.2. These measurements are subject to change or cancellation. No responsibility is assumed for use of superseded or voided pages.



MEETS THE AMERICANS WITH DISABILITIES ACT GUIDELINES AND ANSI A117.1 REQUIREMENTS FOR ACCESSIBLE AND USABLE BUILDING FACILITIES-CHECK LOCAL CODES.

Primary



Moen 6221BN

Cia 1.2 GPM Single Hole Bathroom Faucet with Lift Rod Drain Assembly

Finish: Brushed Nickel

Qty: 2



Moen UT3331BN

Cia 3 Function Pressure Balanced Valve Trim Only with Double Lever Handle and Integrated Diverter - Less Rough In

Finish: Brushed Nickel

Qty: 1



Moen U232CXS

M-Core 2 or 3 Non-Shared Function Pressure Balanced 1/2" Cold Expansion PEX Shower Valve with Stops

Finish: N/A

Qty: 1



Moen 137488BN

Shower Arm Flange

Finish: Brushed Nickel

Qty: 1



Moen 123815BN

8" Shower Arm Only

Finish: Brushed Nickel

Qty: 1



Moen S11705EPBN

Single Function Hand Shower Package with Hose
Included from the Fina Collection

Finish: Brushed Nickel

Qty: 1



Moen A725BN

Drop Ell Wall Supply Elbow

Finish: Brushed Nickel

Qty: 1



Infinity Drain WD 4-2A SS

4" x 4" Premium Center Drain Kit with Wedge Wire
Pattern Decorative Plate – Includes ABS Drain Body
with 2" Outlet

Finish: Satin Stainless

Qty: 1



Hydrosystems SYD6636ATO-WHI-LH

66 x 36 Inch Sydney Rectangle Bathtub with Left Hand Drain

Finish: White
Qty: 1



Signature Hardware SH622ZBN

Pop-Up Drain with Overflow Cover for Alcove Tub

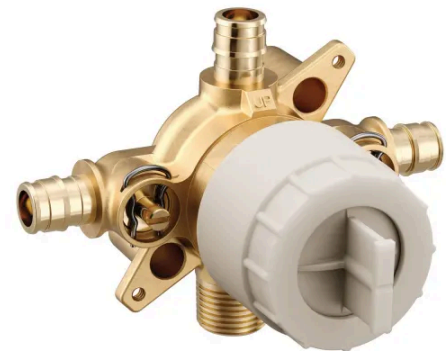
Finish: Brushed Nickel
Qty: 1



Moen UT2261BN

Cia Pressure Balanced Valve Trim Only with Single Lever Handle - Less Rough In

Finish: Brushed Nickel
Qty: 1



Moen U140CXS

M-Core 4 Port Pressure Balanced 1/2" Cold Expansion PEX Tub and Shower Valve with Stops

Finish: N/A
Qty: 1



Moen 3347BN

Cia 6-1/2" Tub Spout

Finish: Brushed Nickel

Qty: 1



TOTO MW4424726CEFG#01

Nexus 1.28 GPF Two Piece Elongated Chair Height Toilet with Washlet+ S7 Bidet Seat, CEFIONTECT Glaze, Tornado Flush, EWATER+, PREMIST, and Night Light

Finish: Cotton

Qty: 1

Items In Primary	Spec Sheets
Moen 6221BN	✓
Moen UT3331BN	✓
Moen U232CXS	✓
Moen 137488BN	✓
Moen 123815BN	✓
Moen S11705EPBN	✓
Moen A725BN	✓
Infinity Drain WD 4-2A SS	✓
Hydrosystems SYD6636ATO-WHI-LH	✓
Signature Hardware SH622ZBN	✓
Moen UT2261BN	✓
Moen U140CXS	✓
Moen 3347BN	✓
TOTO MW4424726CEFG#01	✓

DESCRIPTION

- Metal construction with various finishes identified by suffix
- Flexible supply lines with 3/8" compression fittings
- Includes metal lift rod drain assembly
- Includes optional 3 hole deck plate (escutcheon)
- Includes Red/Blue Temperature Indicators

OPERATION

- Lever style handle, installed on right hand side only
- Temperature controlled by 100° arc of handle travel

FLOW

- Water usage is limited to these maximum flow rates as indicated by the corresponding product markings
 - 1.2 gpm max (4.5L/min) at 60 psi

CARTRIDGE

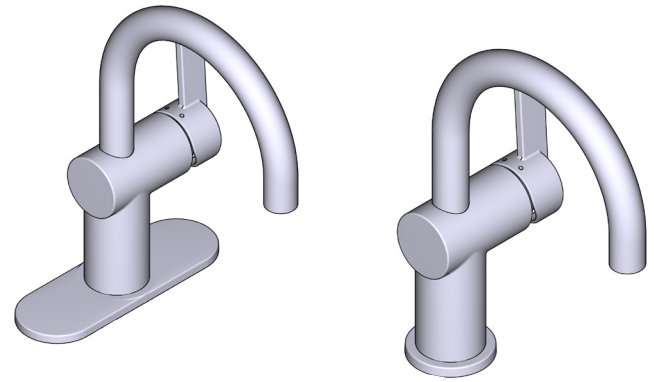
- 1255™ Duralast™ cartridge
- Nonmetallic/nonferrous and ceramic material

STANDARDS

- Third party certified to WaterSense®, ASME A112.18.1/CSA B125.1, and all applicable requirements referenced therein
- Certified to NSF 61/9 & 372
- Products marked with 1.2 gpm are compliant with California water efficiency regulations
- Complies with California Proposition 65 and with the Federal Safe Drinking Water Act
- **ADA** for lever handle

WARRANTY

- Lifetime limited warranty against leaks, drips and finish defects to the original homeowner
- 10 year limited warranty when used in a multifamily installation
- 5 year limited warranty when used in a commercial installation
- Visit www.moen.com/support for complete details and limitations



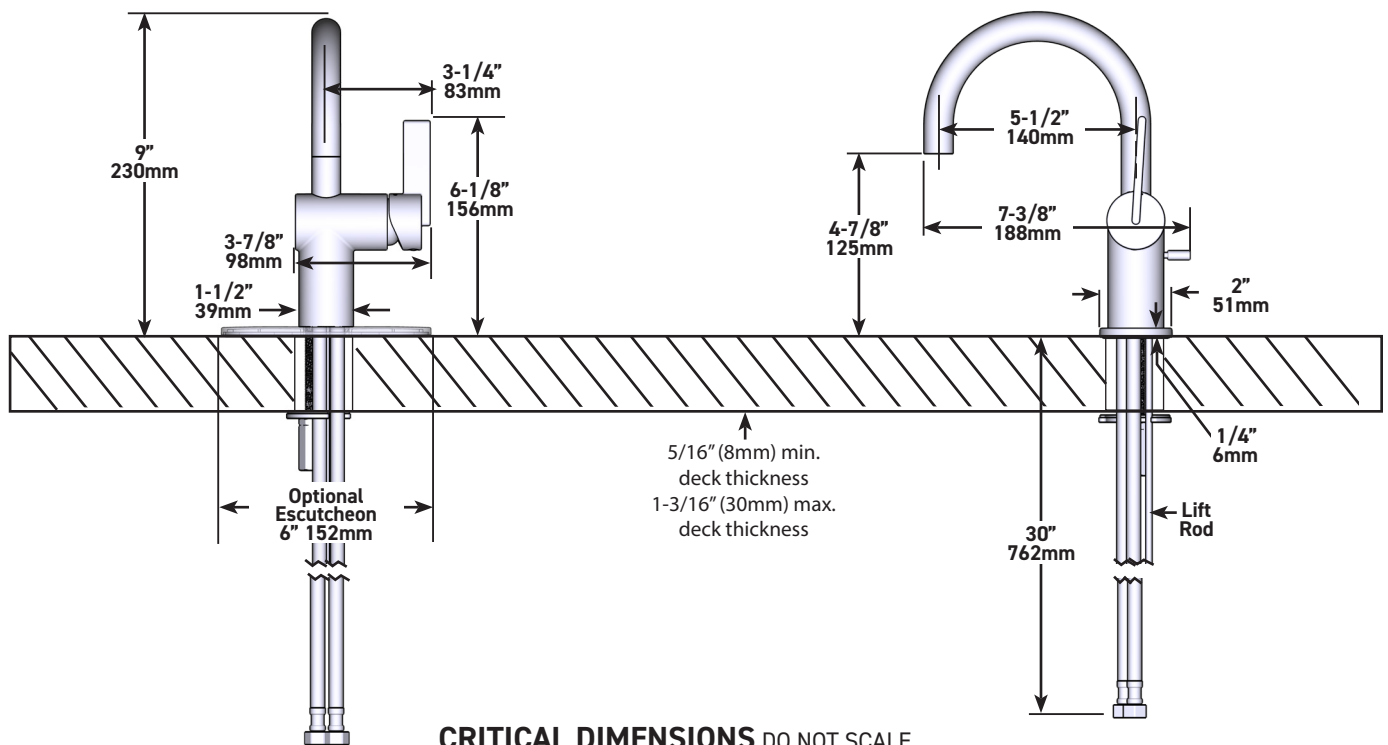
CIA™

Single-Handle Lavatory Faucet

MODELS: 6221 Series

NOTE:

THIS FAUCET IS DESIGNED TO BE INSTALLED THROUGH 1 OR 3 HOLES, 1-1/4" (32mm) MIN. DIA.



CRITICAL DIMENSIONS DO NOT SCALE

DESCRIPTION

- Metal construction with various finishes identified by suffix

OPERATION

- Lever style handle with temperature indicator on the escutcheon
- Variable volume control as handle is lifted in a 0 to 25° arc
- Temperature operates through an 110° arc of handle rotation (full cold to full hot)
- Adjustable temperature limit stop to control maximum hot water temperature
- Pressure balancing mechanism maintains selected discharge temperature to ± 2°F
- Transfer valve is rotary 360° handle operation when used with 3 devices, 120° handle operation when used with 2 devices with detents at each flow position

CARTRIDGE

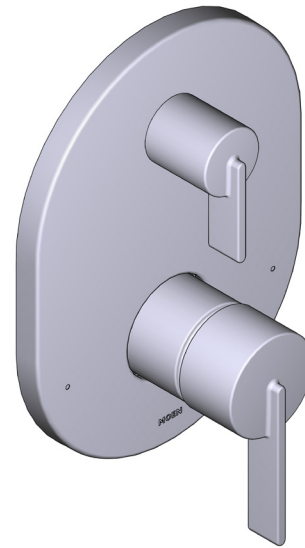
- 1213 Ceramic Disk Volume Control Cartridge
- Non-metallic/non-ferrous and plastic material
- Not compatible with back to back installations

STANDARDS

- Third party certified to ASME A112.18.1/CSA B-125-1, ASSE 1016 and all applicable requirements reference therein
- Moen's M-CORE® pressure balance system is capable to meet the pressure and temperature variation requirements of ASSE 1016 when tested as low as 1.5 gpm (5.68 L/min)
- ADA for lever handle

WARRANTY

- Lifetime limited warranty against leaks, drips and finish defects to the original homeowner
 - 10 year limited warranty when used in a multifamily installation
 - 5 year limited warranty when used in a commercial installation
- Visit www.moen.com/support for complete details and limitations



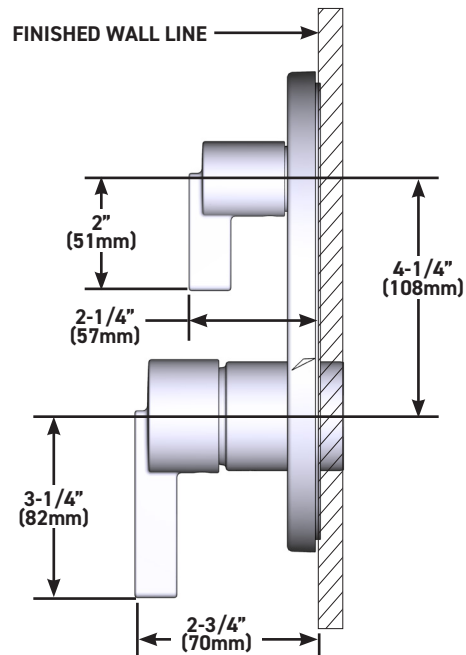
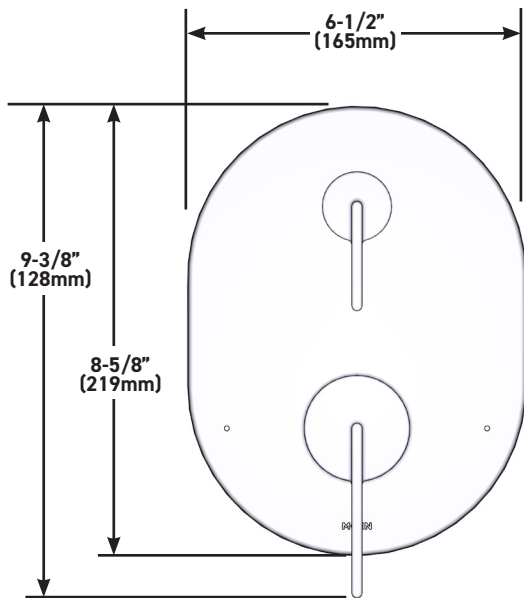
CIA™

M-CORE™ 3-Series
Valve Trim with Integrated Diverter

MODELS: UT3331 series

NOTE:

Valves: U232 series and U362 series



CRITICAL DIMENSIONS DO NOT SCALE

DESCRIPTION

- Brass Construction
- 1/4 turn stops on each inlet
- Available with 1/2" CC/IPS, PEX, Cold Expansion PEX
- Transfer valve outlets match inlet connection type
- No tub outlet
- 2 Function / 3 Function transfer valve

OPERATION

- Supplied Flush Plug allows testing up to 200 PSI with air (300 PSI water)
- Installation in thin or thick wall applications
- The valve is factory set for 2 independent showering devices but can be adjusted to accommodate 3 independent showering devices

CARTRIDGE

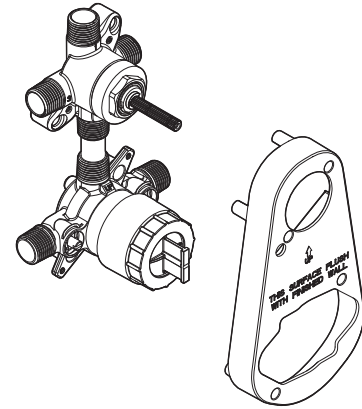
- Mixing Cartridge is supplied in the M-CORE 3-Series trim kit
- Includes 2 function / 3 function ceramic disk cartridge for transfer valve

STANDARDS

- Third party certified to meet ASME A112.18.1/CSA B125.1, and all applicable requirements referenced therein

WARRANTY

- Lifetime limited warranty against leaks, drips and finish defects to the original homeowner
 - 10 year limited warranty when used in a multifamily installation
 - 5 year limited warranty when used in a commercial installation
- Visit www.moen.com/support for complete details and limitations



M-CORE™

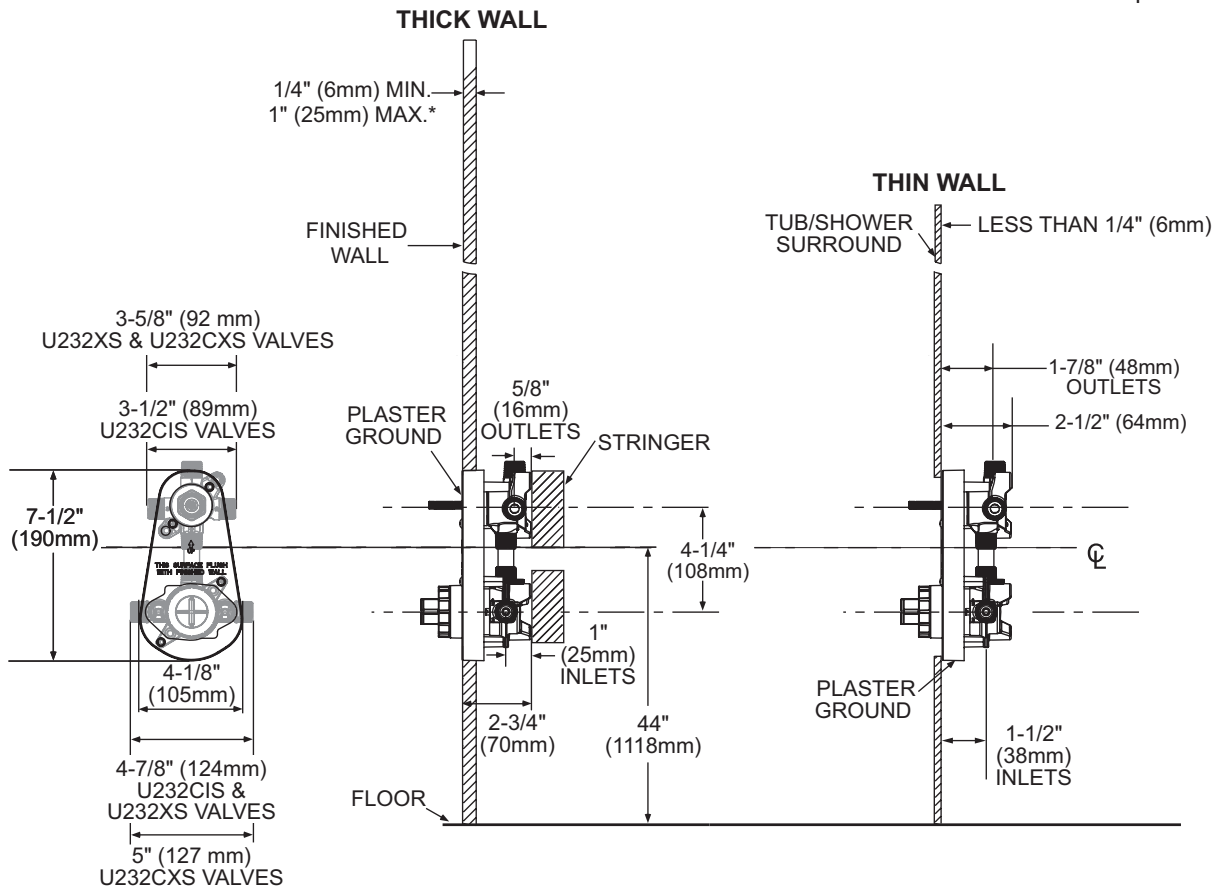
With Integrated 2 Function / 3 Function Transfer Valve

Models:

U232CIS
U232XS
U232CXS

Inlet Connection

CC/IPS
PEX
Cold Expansion PEX



* Walls thicker than 1" (25mm) require optional extension kit.

CRITICAL DIMENSIONS

(DO NOT SCALE)

FOR MORE INFORMATION CALL: 1-800-BUY-MOEN

www.moen.com



Shower Valve Options

THE POWER BEHIND THE SHOWER

 **MOEN**
Buy it for looks. Buy it for life.®



The Perfect Shower Starts Here.

Everybody has a slightly different idea of what makes a perfect shower. Which is exactly why Moen offers a choice of valve options to power the shower. From budget-conscious, basic control valves to fully featured systems that deliver an unparalleled custom spa experience, Moen valves are designed, tested and built to delight your client. Shower after shower.

Moen even considered your installation needs in our designs. Our valves are available in a wide array of plumbing connection options, include features that make completing the job easier and come backed by support that is as reliable as our products. All so you can use Moen with confidence.



M•PACT® Common Valve System

The innovative M•PACT Common Valve System keeps the construction process moving forward by accommodating installation of the shower valve before the homeowner has made a final decision on style or finish. It's easy to install, change or update any M•PACT-compatible trim kit at any point in time without replacing the valve.

M•PACT also provides an opportunity for builders to offer trim upgrades on spec-built homes. Once an M•PACT-compatible shower valve is installed, a trim upgrade can be easily swapped out.



Limited Lifetime Warranty

All Moen faucets come with our Limited Lifetime Warranty against leaks, drips and finish defects.

Questions?

Call our dedicated Trade Services hotline at 866.900.MOEN or contact your local, Moen-employed sales representative.



ioDIGITAL®
Vertical Spa
Valve



ioDIGITAL®
Shower
Valve



ExactTemp®
3/4"
Thermostatic
Valve



Moentrol®
with Multi-
Function
Transfer
Valve



Moentrol®
Pressure-
Balancing
Volume Control
Valve



Posi-Temp®
Pressure-
Balancing
Cycling Valve



Transfer
Valves
(two- or
three-
function)

Comfort Features							
Temperature consistency Water temperature won't fluctuate even as the hot water in your tank gets lower.	●	●	●				
Maximum-flow vertical spa experience Provides the greatest balance of force, flow and coverage in a Moen vertical spa.	●		●				
Vertical spa-compatible Add an extra showerhead, hand shower — or design a complete vertical spa experience.	●	●*	●	●	●*	●*	●
Convenience Features							
Precision thermostatic control Dial up the same water temperature every day, just like a thermostat.	●	●	●				
Volume control Lets you adjust the amount of water that flows through your tub/shower from a gentle stream to full-force.	●	●	●***	●	●		
Temperature memory Dial stays in the same temperature position you last used and returns to that temperature within a few seconds.	●	●	●	●	●		
Safety Features							
Maximum temperature setting You can predetermine the hottest temperature setting before installation.	●	●	●	●	●	●	
Meets applicable pressure-balancing or thermostatic safety codes	●	●	●	●	●	●	N/A
Dependability Features							
Limited Lifetime Warranty	●**	●**	●	●	●	●	●
Easy-to-replace cartridge	N/A	N/A	●	●	●	●	●

* Must be used with three-function diverter valve [3372] or two-function diverter valve [3375] to obtain vertical spa compatibility.

** ioDIGITAL is warranted for 5 years against leaks, drips and operation defects to the original consumer purchaser; 1-year warranty if used in commercial applications. 5-year warranty on digital components, limited lifetime trim warranty.

*** Use with ExactTemp 3/4" volume control valves.



ioDIGITAL vertical spa controller



ioDIGITAL remote control

ioDIGITAL[®] Vertical Spa Valve

FUNCTIONALITY

Digital Thermostatic – computer-controlled temperature and flow

VERTICAL SPA COMPATIBLE

Yes

TRIM

Fits select styles on the M•PACT[®] Common Valve System



INLET SIZE

3/4"

OUTLET SIZE

1/2"

Inlet Connection Options



CC



PEX



CPVC

- Choose from vertical spa, shower or Roman tub.
- Requires water hammer arrestors for proper installation (vertical spa valve only).
- Optional remote control (RF technology) adds convenience by allowing users to operate their shower from up to 30 feet away.

KEY FEATURES

Integrated Mounting Feet

For ease of installation.

Valve Body Design

At less than 3-11/32" thick, the ioDIGITAL valve was engineered to fit within standard 2" x 4" framing, or the unit can be installed up to 30 feet from the shower for maximum design flexibility in both new construction and remodeling.



ioDIGITAL Shower Valve

- 1/2" inlets and outlets
- Shutoffs
- Mounting bracket

Push-Fit Connections

Push-fit connections speed installation and provide a secure fit. No soldering or threading needed.

Digital Control

Microchip processor provides unmatched electronic temperature and flow accuracy.

Maximum Temperature Setting

Easily and quickly adjust the maximum outlet temperature for this valve by turning a dial.

Memory Presets

Store up to four temperature, flow and device activation settings for instant recall of user-created experiences.


Buy it for looks. Buy it for life.®



ExactTemp[®] 3/4" Thermostatic Valve

FUNCTIONALITY

Thermostatic – automatically adjusts to fluctuations in the supply to maintain precise temperatures

VERTICAL SPA COMPATIBLE

Yes

TRIM

Complements all styles on the M•PACT[®] Common Valve System



INLET SIZE

3/4"

OUTLET SIZE

3/4"

Inlet Connection Options



3/4" IPS

- Tremendous flow capacity to design the ultimate vertical spa.
- Drives a wide variety of body spray, showerhead, hand shower and rainshower combinations.
- Must be used in combination with ExactTemp 3/4" volume control valves.

3/4" Volume Control Valve

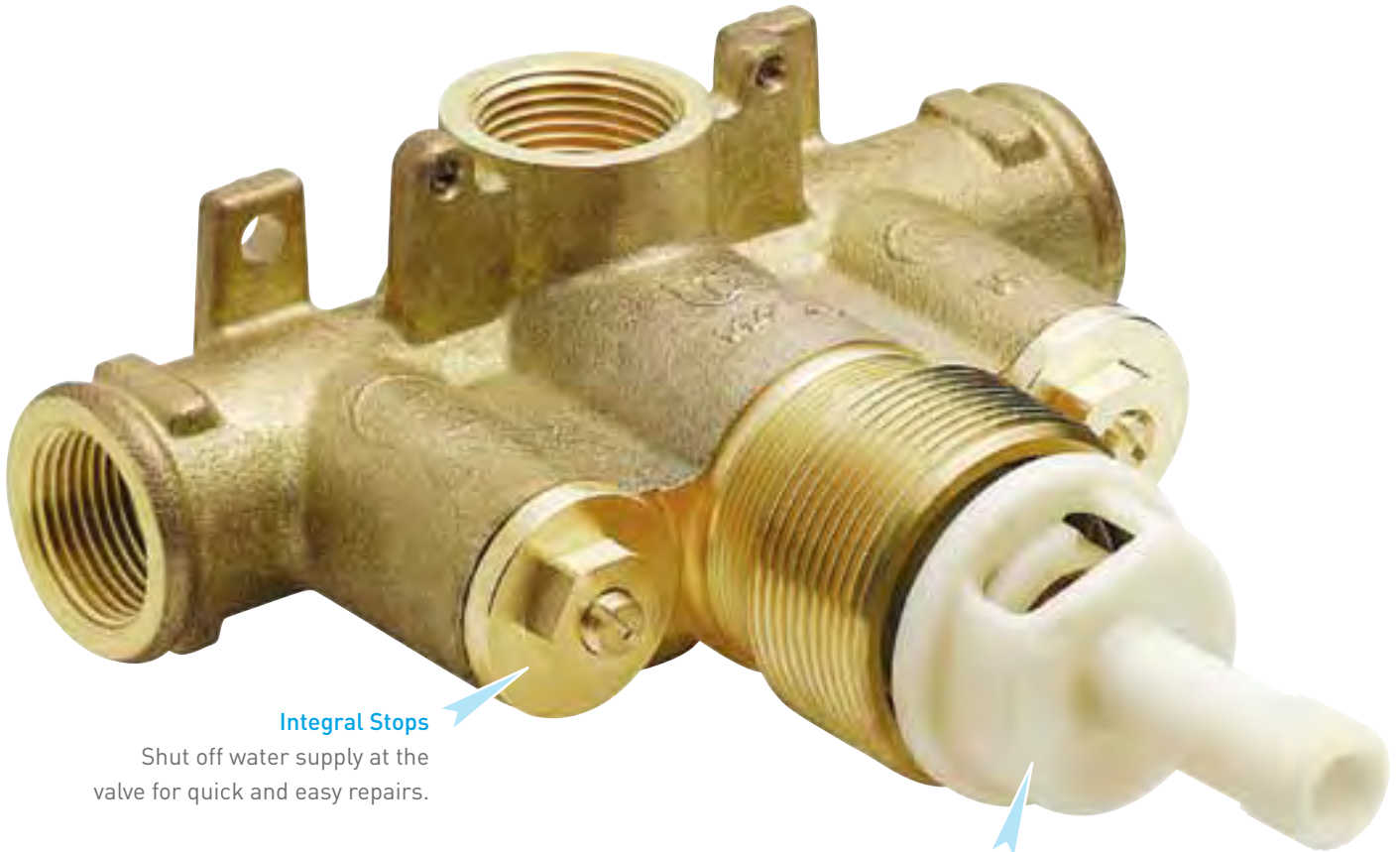


- Mounting brackets
- 3/4" IPS

ExactTemp®

3/4" Thermostatic Valve

KEY FEATURES



Integral Stops

Shut off water supply at the valve for quick and easy repairs.

Thermostatic Cartridge

Automatically compensates for changes in hot and cold water supply to ensure comfort and pinpoint temperature accuracy. Users can dial up the same temperature day after day. No need to readjust temperature as hot water tank begins to cool.

Temperature Limit Stop

Maximum hot water temperature set at 105°F to prevent scalding. Can be overridden to 120°F.

Temperature Memory

Handle stays in the last position the user had set when they turned the shower off, so they can return to the same temperature setting within seconds.



Moentrol[®] WITH Integrated Transfer Valve

FUNCTIONALITY

Volume and temperature control – handle pulls out to adjust flow and rotates from hot to cold

VERTICAL SPA COMPATIBLE

Yes

TRIM

Fits select styles on the M•PACT[®] Common Valve System



INLET SIZE

1/2"

OUTLET SIZE

1/2"

Inlet Connection Options



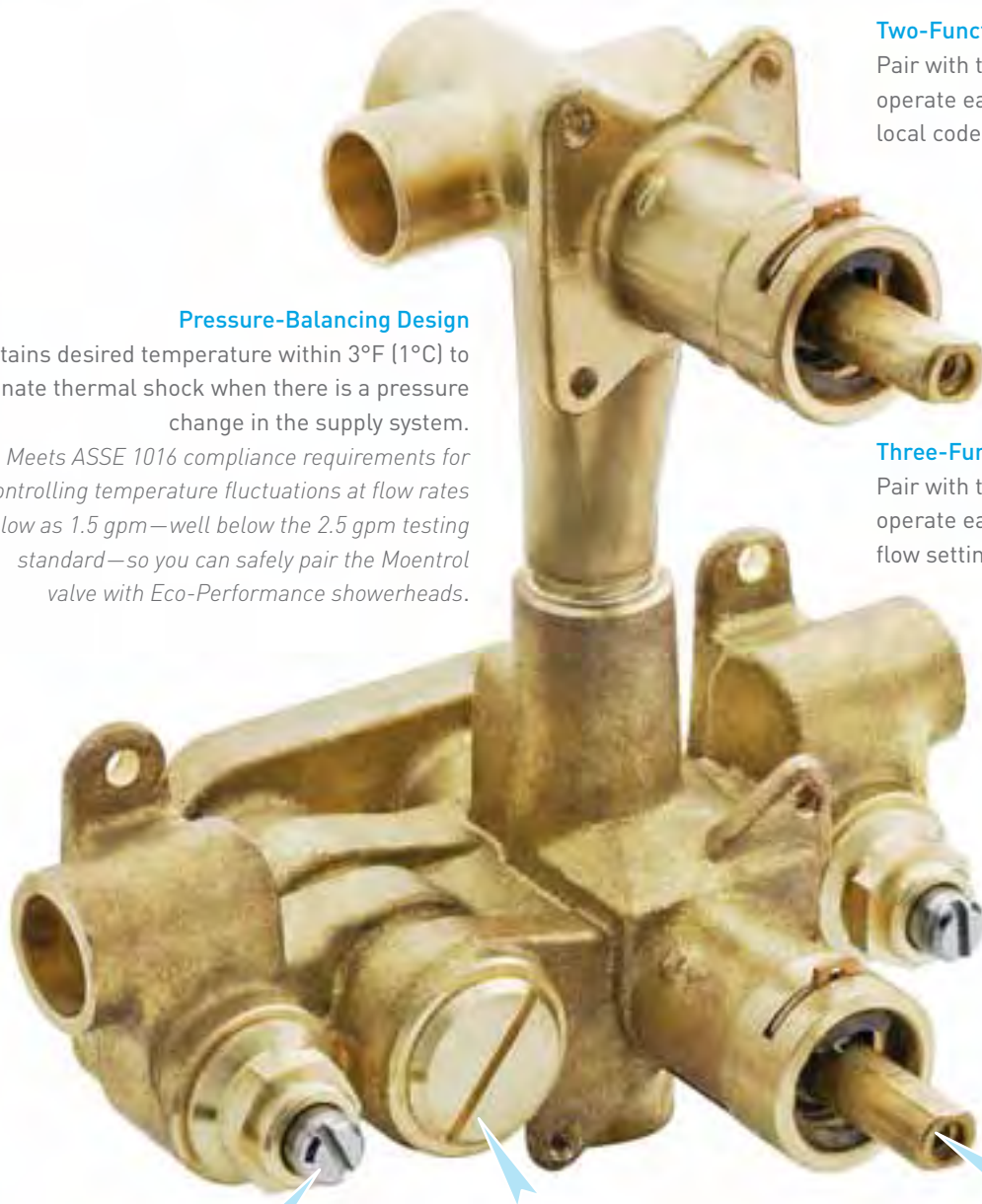
IPS



CC

- Integrated transfer valve offers an affordable vertical spa.
- Choose three-function models that allow for two individual spray outlets and one shared function, or a two-function model that offers two discrete functions only to meet local codes.
- Use with a combination of two body sprays, one showerhead or one hand shower to create a custom experience.

KEY FEATURES



Pressure-Balancing Design

Maintains desired temperature within 3°F (1°C) to eliminate thermal shock when there is a pressure change in the supply system.

Meets ASSE 1016 compliance requirements for controlling temperature fluctuations at flow rates as low as 1.5 gpm—well below the 2.5 gpm testing standard—so you can safely pair the Moentrol valve with Eco-Performance showerheads.

Two-Function Operation

Pair with two spray outlets so user can operate each individually in order to meet local code.

Three-Function Operation

Pair with two spray outlets so user can operate each individually or on a shared flow setting.

Adjustable Temperature Limit Stop

Allows user to control the maximum hot water temperature to prevent scalding.

1225 Cartridge

Offers high flow rate for a variety of showering systems. Easy-to-service design. Can be rotated for back-to-back installations in large-scale projects.

Integral Stops

Shut off water supply at the valve for quick and easy repairs.

Balancing Spool Design

Distinctive and durable design is impervious to hard water and chemicals.

Temperature Memory

Handle stays in the last position the user had set when they turned the shower off, so they can return to the same temperature setting within seconds.



Moentrol®

FUNCTIONALITY

Volume and temperature control – handle pulls out to adjust flow and rotates from hot to cold

VERTICAL SPA COMPATIBLE

When paired with 3372 or 3375 transfer valve

TRIM

Fits all Moentrol styles on the M•PACT® Common Valve System



INLET SIZE

1/2"

OUTLET SIZE

1/2"

Inlet Connection Options



IPS



CC

- Delivers the water flow and force consumers desire.

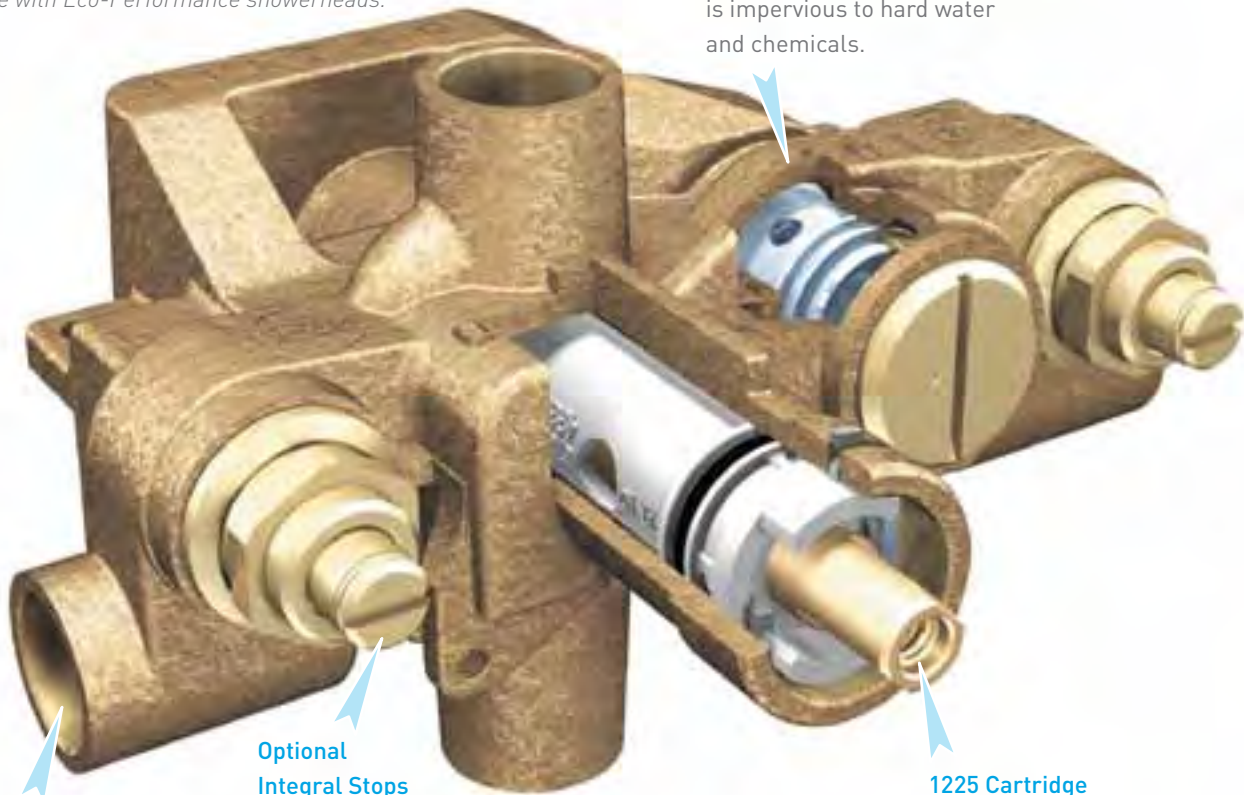
Pressure-Balancing Design

Maintains desired temperature within 3°F (1°C) to eliminate thermal shock when there is a pressure change in the supply system.

Meets ASSE 1016 compliance requirements for controlling temperature fluctuations at flow rates as low as 1.5 gpm—well below the 2.5 gpm testing standard—so you can safely pair the Moentrol valve with Eco-Performance showerheads.

Graphite Composite Balancing Spool Design

Distinctive and durable design is impervious to hard water and chemicals.



Inlet Connections

Choice of two connection types: IPS and copper sweat.

Optional Integral Stops

Shut off water supply at the valve for quick and easy repairs. Available with or without.

1225 Cartridge

Offers high flow rate for fast tub fills. Easy-to-service design. Can be rotated for back-to-back installations in large-scale projects.

Temperature Memory

Handle stays in the last position the user had set when they turned the shower off, so they can return to the same temperature setting within seconds.

Adjustable Temperature Limit Stop

Allows user to control the maximum hot water temperature to prevent scalding.



Posi-Temp®

FUNCTIONALITY

Cycling – lever rotates from cold to hot

VERTICAL SPA COMPATIBLE

When paired with 3372 or 3375 transfer valves

TRIM

Fits all Posi-Temp styles on the M•PACT® Common Valve System



INLET SIZE

1/2"

OUTLET SIZE

1/2"

Inlet Connection Options



IPS



CC



PEX



CPVC



PEX
COLD
EXPANSION

- The professional's choice: best-selling valve in the industry.
- Great value for entry-level construction or guest bathrooms.
- Pair with an Eco-Performance showerhead to meet low-flow requirements.

Pressure-Balancing Design

Maintains desired temperature within 3°F (1°C) to eliminate thermal shock when there is a pressure change in the supply system.

Meets ASSE 1016 compliance requirements for controlling temperature fluctuations at flow rates as low as 1.5 gpm—well below the 2.5 gpm testing standard—so you can safely pair Posi-Temp with Eco-Performance showerheads.

Forged Brass Body

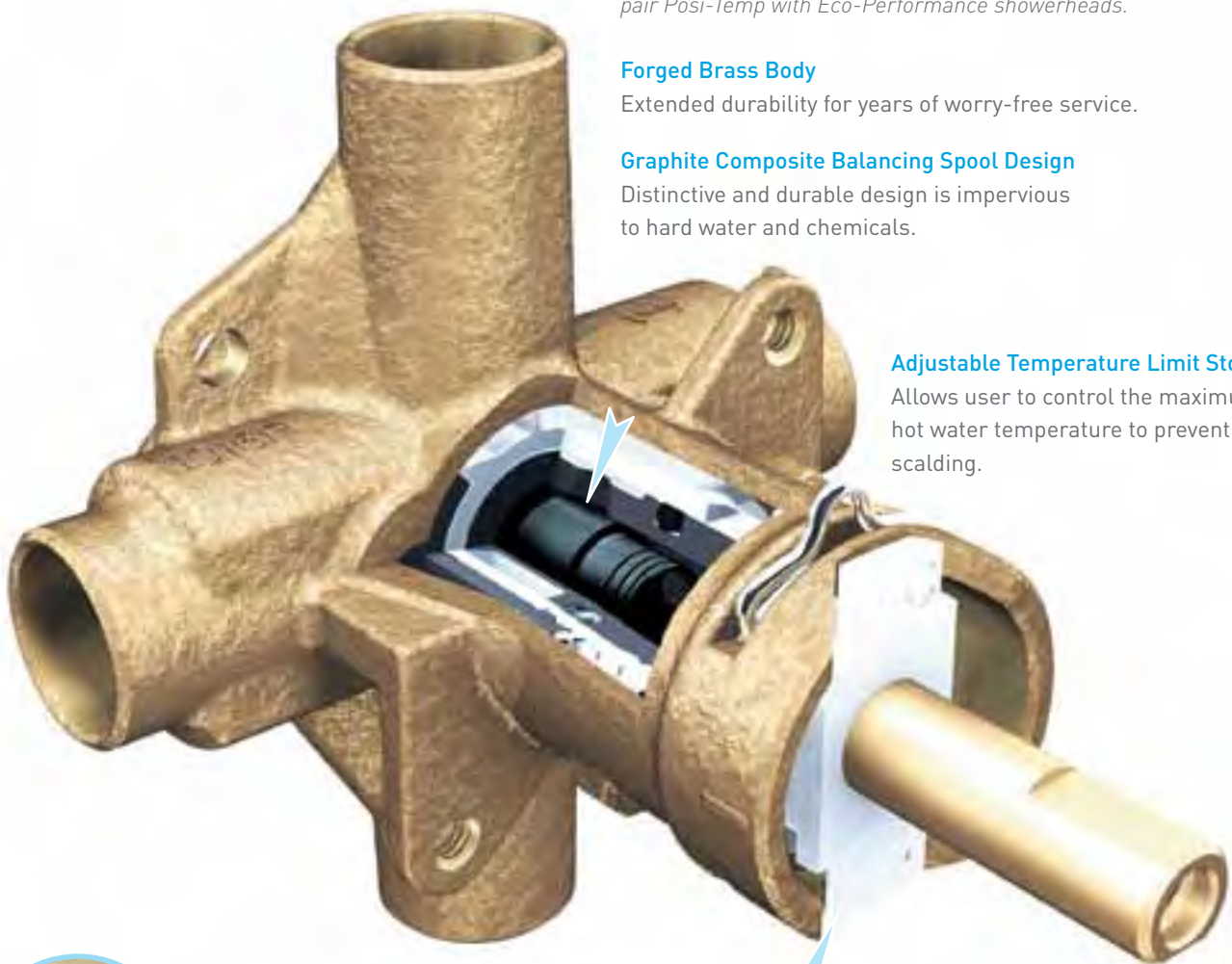
Extended durability for years of worry-free service.

Graphite Composite Balancing Spool Design

Distinctive and durable design is impervious to hard water and chemicals.

Adjustable Temperature Limit Stop

Allows user to control the maximum hot water temperature to prevent scalding.



Optional Integral Stops

Shut off water supply at the valve for quick and easy repairs. Available with or without.

1222 Cartridge

Offers high flow rate for fast tub fills. Easy-to-service design. Can be rotated for back-to-back installations in large-scale projects.



Optional Flush Plugs

Eases pressure tests and line flushing.



Two- or Three-Function Operation

Choose three-function model that allows for two individual spray outlets and one shared function, or two-function model that offers two discrete functions only to meet local codes.

116719 Cartridge

Offers 180° rotational control.

Transfer Valves

FUNCTIONALITY

Transfer – directs water-flow to spray outlets

VERTICAL SPA COMPATIBLE

Yes

TRIM

Standard

INLET SIZE

1/2"

OUTLET SIZE

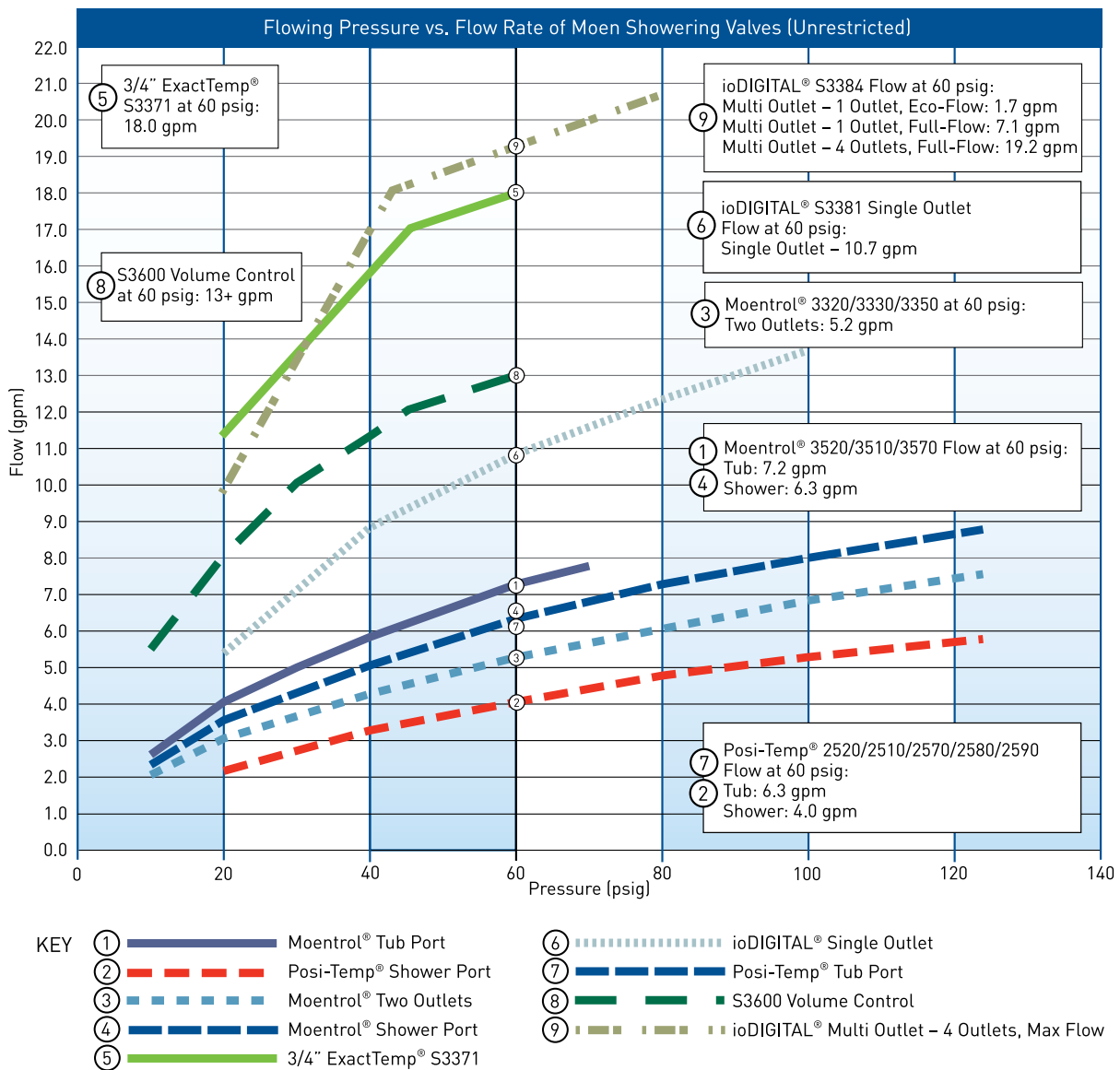
1/2"

Inlet Connection Options



CC


- Use in combination with a Posi-Temp or Moentrol mixing valve to create a custom shower design.
- Pair with either two body sprays, one showerhead or one hand shower to create a custom experience.
- Neutral style trim coordinates with any bath suite trim style.



Vertical Spa Installation Recommendations

Graph Line	Valve	Flow Rate through shower port (GPM) @ 20 PSI	Flow Rate through shower port (GPM) @ 40 PSI	Flow Rate through shower port (GPM) @ 60 PSI	Use with 2- or 3-function transfer	Maximum Components
2	Posi-Temp® 2520, 2510, 2570, 2580, 2590	2.1	3.2	4.0	Yes	Showerhead, hand shower
4	Moentrol® 3520, 3510, 3570	3.5	5.0	6.3	Yes	Showerhead, hand shower
3	Moentrol® Two Outlets 3320, 3330, 3350	*3.0	*4.2	*5.2	No	Showerhead, hand shower or showerhead, 2 body sprays
5	3/4" ExactTemp® S3371	11.4	15.7	18.0	No	4 components: Any combination of showerheads, hand showers and body sprays (4 max)
9	ioDIGITAL® S3384	10.0	17.0	19.2	No	4 components: Any combination of showerheads, hand showers and body sprays (max 3 body sprays to any one outlet)

*Moentrol® Two Outlets flow is the total flow when used in the shared mode.

 ADA Many Moen faucets and shower valve controls meet requirements for the physically challenged.

 The M•PACT® Common Valve System. Install it once, and you can upgrade style at any point in the decorating or construction process—or switch style years down the road—without replacing any faucet plumbing.

Although descriptions are believed correct at publication approval, accuracy cannot be guaranteed.

Moen reserves the right to make product specification changes from time to time, without notice or obligation, and to change or discontinue models.

® ExactTemp, ioDIGITAL, M•PACT, Moen, Moentrol, Posi-Temp, the Moen “Buy it for looks. Buy it for life.” logo and the Moen waterdrop design are Registered Trademarks of Moen Incorporated.



Visit our web site at moen.com

© Moen Incorporated 2012

U.S. Headquarters:
Moen Incorporated
25300 Al Moen Drive
North Olmsted, OH 44070-8022
1-800-BUY-MOEN

Canadian Headquarters:
Moen, Inc.
2816 Bristol Circle, Oakville, Ontario
L6H 5S7
1-800-465-6130

 **MOEN**
Buy it for looks. Buy it for life.®



Buy it for looks. Buy it for life.®

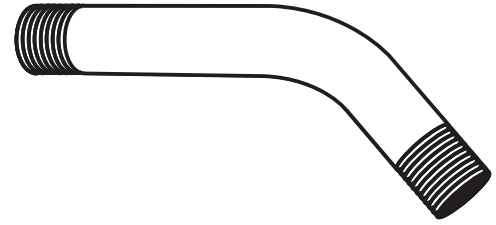
Specifications

DESCRIPTION

- Metal construction with various finishes identified by suffix

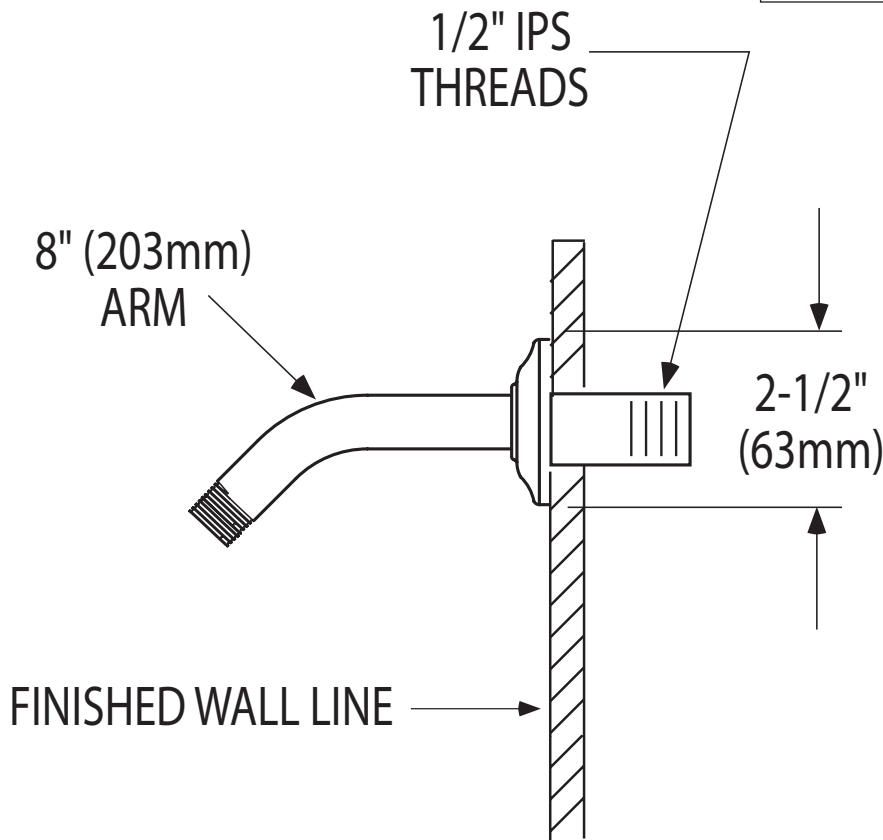
WARRANTY

- Lifetime limited warranty against finish defects to the original consumer purchaser
- 5 year warranty if used in commercial installations



Moen® 8" Shower Arm

Models: 123815 series



CRITICAL DIMENSIONS

(DO NOT SCALE)



Shower Valve Options

THE POWER BEHIND THE SHOWER

 **MOEN**
Buy it for looks. Buy it for life.®



The Perfect Shower Starts Here.

Everybody has a slightly different idea of what makes a perfect shower. Which is exactly why Moen offers a choice of valve options to power the shower. From budget-conscious, basic control valves to fully featured systems that deliver an unparalleled custom spa experience, Moen valves are designed, tested and built to delight your client. Shower after shower.

Moen even considered your installation needs in our designs. Our valves are available in a wide array of plumbing connection options, include features that make completing the job easier and come backed by support that is as reliable as our products. All so you can use Moen with confidence.



M•PACT® Common Valve System

The innovative M•PACT Common Valve System keeps the construction process moving forward by accommodating installation of the shower valve before the homeowner has made a final decision on style or finish. It's easy to install, change or update any M•PACT-compatible trim kit at any point in time without replacing the valve.

M•PACT also provides an opportunity for builders to offer trim upgrades on spec-built homes. Once an M•PACT-compatible shower valve is installed, a trim upgrade can be easily swapped out.



Limited Lifetime Warranty

All Moen faucets come with our Limited Lifetime Warranty against leaks, drips and finish defects.

Questions?

Call our dedicated Trade Services hotline at 866.900.MOEN or contact your local, Moen-employed sales representative.



ioDIGITAL® Vertical Spa Valve



ioDIGITAL® Shower Valve



ExactTemp® 3/4" Thermostatic Valve



Moentrol® with Multi-Function Transfer Valve



Moentrol® Pressure-Balancing Volume Control Valve



Posi-Temp® Pressure-Balancing Cycling Valve



Transfer Valves (two- or three-function)

	ioDIGITAL® Vertical Spa Valve	ioDIGITAL® Shower Valve	ExactTemp® 3/4" Thermostatic Valve	Moentrol® with Multi-Function Transfer Valve	Moentrol® Pressure-Balancing Volume Control Valve	Posi-Temp® Pressure-Balancing Cycling Valve	Transfer Valves (two- or three-function)
Comfort Features							
Temperature consistency Water temperature won't fluctuate even as the hot water in your tank gets lower.	●	●	●				
Maximum-flow vertical spa experience Provides the greatest balance of force, flow and coverage in a Moen vertical spa.	●		●				
Vertical spa-compatible Add an extra showerhead, hand shower — or design a complete vertical spa experience.	●	●*	●	●	●*	●*	●
Convenience Features							
Precision thermostatic control Dial up the same water temperature every day, just like a thermostat.	●	●	●				
Volume control Lets you adjust the amount of water that flows through your tub/shower from a gentle stream to full-force.	●	●	●***	●	●		
Temperature memory Dial stays in the same temperature position you last used and returns to that temperature within a few seconds.	●	●	●	●	●		
Safety Features							
Maximum temperature setting You can predetermine the hottest temperature setting before installation.	●	●	●	●	●	●	
Meets applicable pressure-balancing or thermostatic safety codes	●	●	●	●	●	●	N/A
Dependability Features							
Limited Lifetime Warranty	●**	●**	●	●	●	●	●
Easy-to-replace cartridge	N/A	N/A	●	●	●	●	●

* Must be used with three-function diverter valve [3372] or two-function diverter valve [3375] to obtain vertical spa compatibility.

** ioDIGITAL is warranted for 5 years against leaks, drips and operation defects to the original consumer purchaser; 1-year warranty if used in commercial applications. 5-year warranty on digital components, limited lifetime trim warranty.

*** Use with ExactTemp 3/4" volume control valves.



ioDIGITAL
vertical spa
controller



ioDIGITAL
remote
control

ioDIGITAL[®] Vertical Spa Valve

FUNCTIONALITY

Digital Thermostatic –
computer-controlled
temperature and flow

VERTICAL SPA COMPATIBLE

Yes

TRIM

Fits select styles on
the M•PACT[®] Common
Valve System



INLET SIZE

3/4"

OUTLET SIZE

1/2"

Inlet Connection Options



CC



PEX



CPVC

- Choose from vertical spa, shower or Roman tub.
- Requires water hammer arrestors for proper installation (vertical spa valve only).
- Optional remote control (RF technology) adds convenience by allowing users to operate their shower from up to 30 feet away.

KEY FEATURES

Integrated Mounting Feet

For ease of installation.

Valve Body Design

At less than 3-11/32" thick, the ioDIGITAL valve was engineered to fit within standard 2" x 4" framing, or the unit can be installed up to 30 feet from the shower for maximum design flexibility in both new construction and remodeling.



ioDIGITAL Shower Valve

- 1/2" inlets and outlets
- Shutoffs
- Mounting bracket

Push-Fit Connections

Push-fit connections speed installation and provide a secure fit. No soldering or threading needed.

Digital Control

Microchip processor provides unmatched electronic temperature and flow accuracy.

Maximum Temperature Setting

Easily and quickly adjust the maximum outlet temperature for this valve by turning a dial.

Memory Presets

Store up to four temperature, flow and device activation settings for instant recall of user-created experiences.

 **MOEN**
Buy it for looks. Buy it for life.®



ExactTemp[®] 3/4" Thermostatic Valve

FUNCTIONALITY

Thermostatic – automatically adjusts to fluctuations in the supply to maintain precise temperatures

VERTICAL SPA COMPATIBLE

Yes

TRIM

Complements all styles on the M•PACT[®] Common Valve System



INLET SIZE

3/4"

OUTLET SIZE

3/4"

Inlet Connection Options



3/4" IPS

- Tremendous flow capacity to design the ultimate vertical spa.
- Drives a wide variety of body spray, showerhead, hand shower and rainshower combinations.
- Must be used in combination with ExactTemp 3/4" volume control valves.

3/4" Volume Control Valve

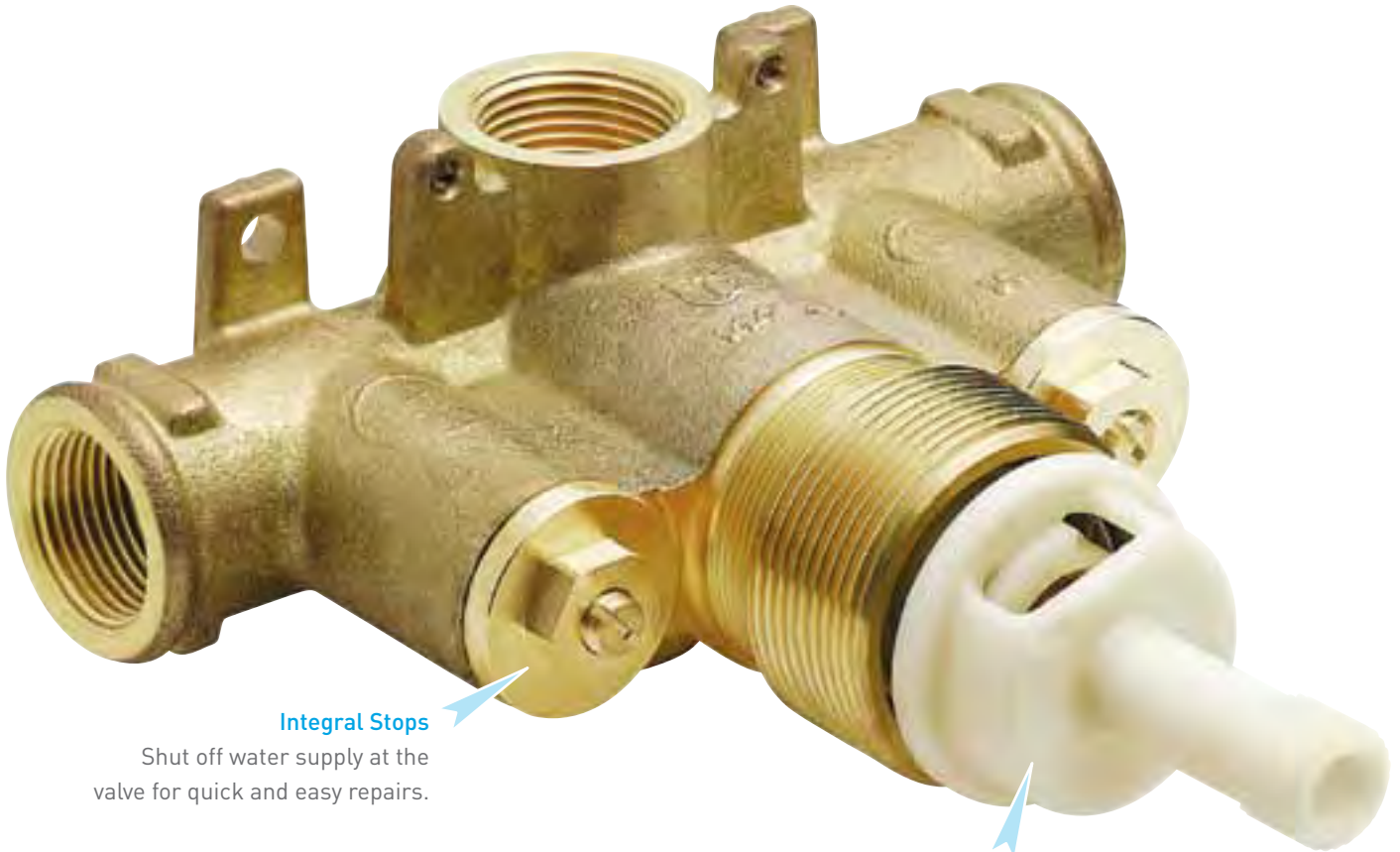


- Mounting brackets
- 3/4" IPS

ExactTemp®

3/4" Thermostatic Valve

KEY FEATURES



Integral Stops

Shut off water supply at the valve for quick and easy repairs.

Thermostatic Cartridge

Automatically compensates for changes in hot and cold water supply to ensure comfort and pinpoint temperature accuracy. Users can dial up the same temperature day after day. No need to readjust temperature as hot water tank begins to cool.

Temperature Limit Stop

Maximum hot water temperature set at 105°F to prevent scalding. Can be overridden to 120°F.

Temperature Memory

Handle stays in the last position the user had set when they turned the shower off, so they can return to the same temperature setting within seconds.



Moentrol[®] WITH Integrated Transfer Valve

FUNCTIONALITY

Volume and temperature control – handle pulls out to adjust flow and rotates from hot to cold

VERTICAL SPA COMPATIBLE

Yes

TRIM

Fits select styles on the M•PACT[®] Common Valve System



INLET SIZE

1/2"

OUTLET SIZE

1/2"

Inlet Connection Options



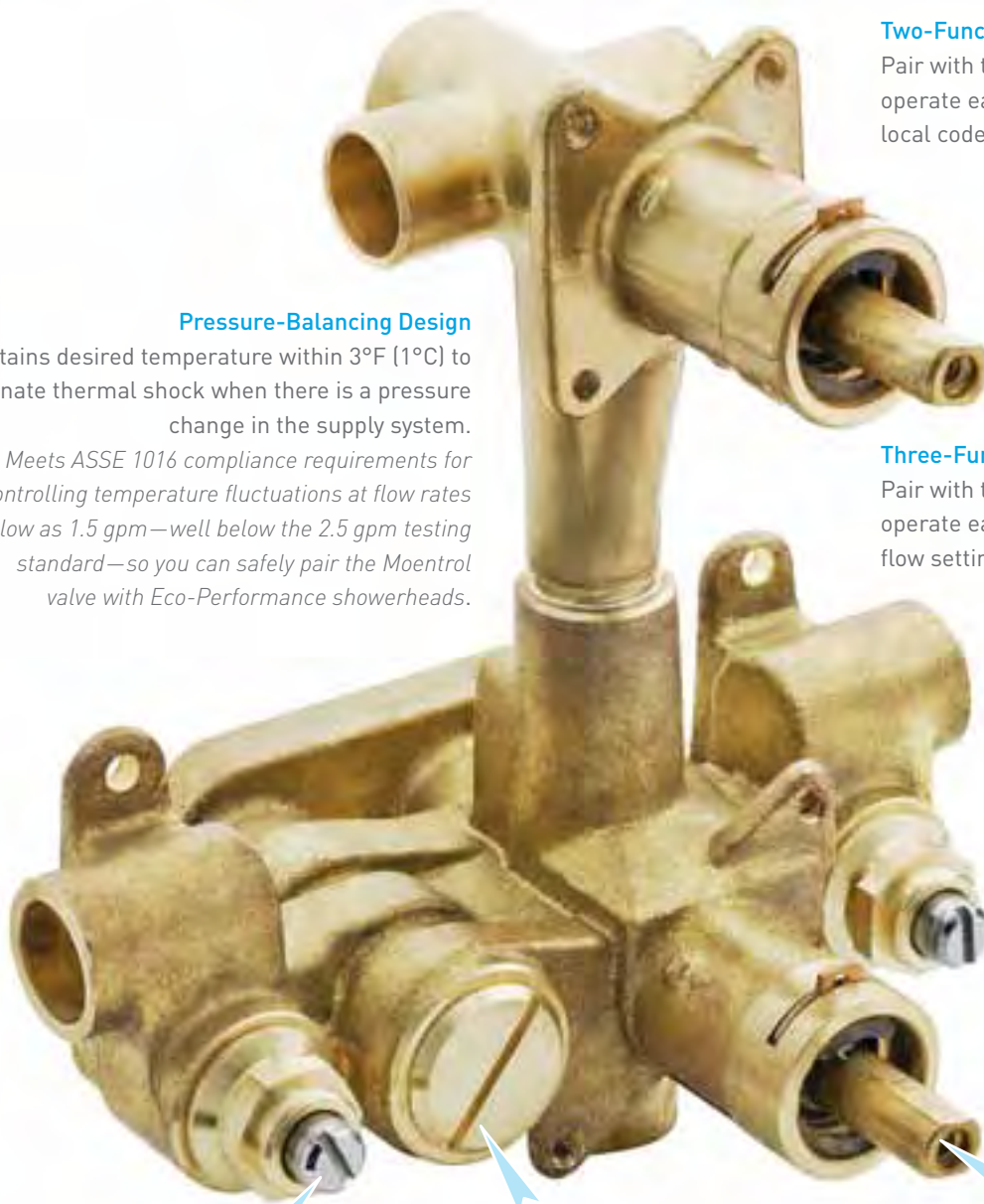
IPS



CC

- Integrated transfer valve offers an affordable vertical spa.
- Choose three-function models that allow for two individual spray outlets and one shared function, or a two-function model that offers two discrete functions only to meet local codes.
- Use with a combination of two body sprays, one showerhead or one hand shower to create a custom experience.

KEY FEATURES



Pressure-Balancing Design

Maintains desired temperature within 3°F (1°C) to eliminate thermal shock when there is a pressure change in the supply system.

Meets ASSE 1016 compliance requirements for controlling temperature fluctuations at flow rates as low as 1.5 gpm—well below the 2.5 gpm testing standard—so you can safely pair the Moentrol valve with Eco-Performance showerheads.

Two-Function Operation

Pair with two spray outlets so user can operate each individually in order to meet local code.

Three-Function Operation

Pair with two spray outlets so user can operate each individually or on a shared flow setting.

Adjustable Temperature Limit Stop

Allows user to control the maximum hot water temperature to prevent scalding.

1225 Cartridge

Offers high flow rate for a variety of showering systems. Easy-to-service design. Can be rotated for back-to-back installations in large-scale projects.

Integral Stops

Shut off water supply at the valve for quick and easy repairs.

Balancing Spool Design

Distinctive and durable design is impervious to hard water and chemicals.

Temperature Memory

Handle stays in the last position the user had set when they turned the shower off, so they can return to the same temperature setting within seconds.



Moentrol®

FUNCTIONALITY

Volume and temperature control – handle pulls out to adjust flow and rotates from hot to cold

VERTICAL SPA COMPATIBLE

When paired with 3372 or 3375 transfer valve

TRIM

Fits all Moentrol styles on the M•PACT® Common Valve System



INLET SIZE

1/2"

OUTLET SIZE

1/2"

Inlet Connection Options



IPS



CC

- Delivers the water flow and force consumers desire.

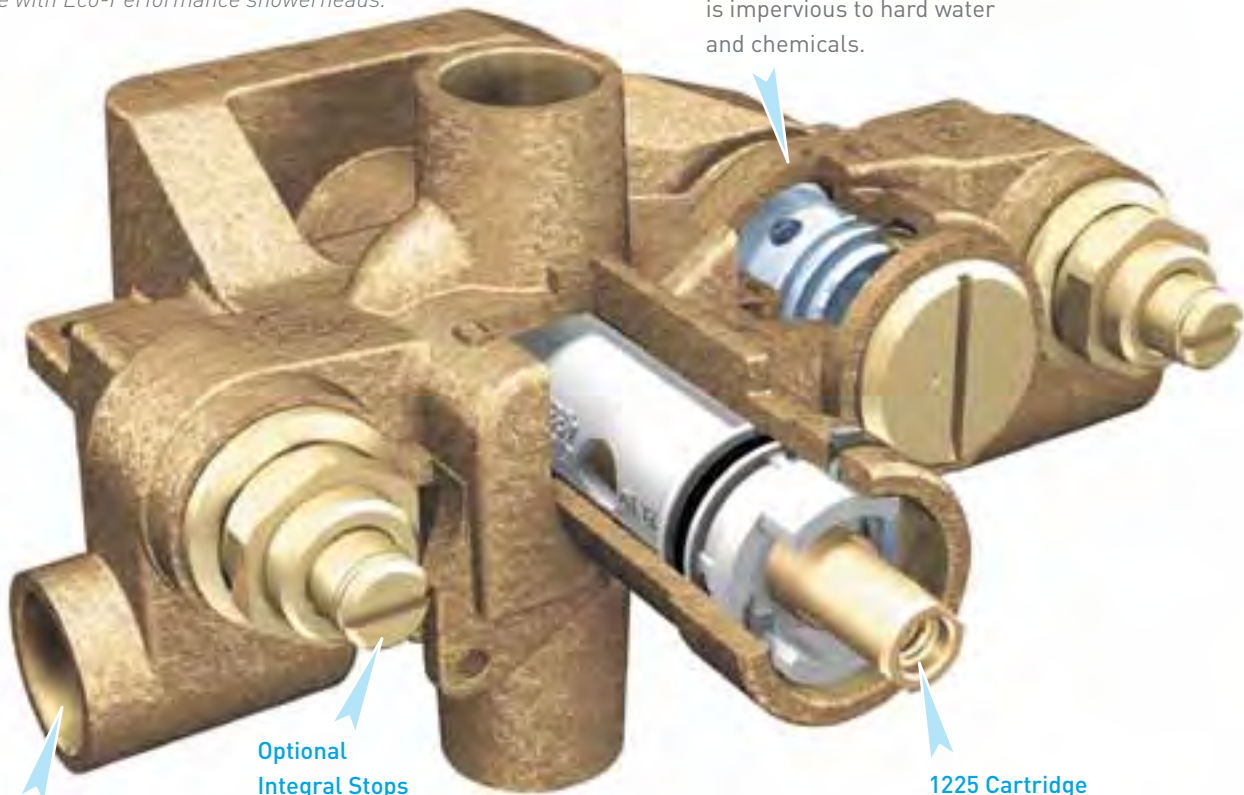
Pressure-Balancing Design

Maintains desired temperature within 3°F (1°C) to eliminate thermal shock when there is a pressure change in the supply system.

Meets ASSE 1016 compliance requirements for controlling temperature fluctuations at flow rates as low as 1.5 gpm—well below the 2.5 gpm testing standard—so you can safely pair the Moentrol valve with Eco-Performance showerheads.

Graphite Composite Balancing Spool Design

Distinctive and durable design is impervious to hard water and chemicals.



Inlet Connections

Choice of two connection types: IPS and copper sweat.

Optional Integral Stops

Shut off water supply at the valve for quick and easy repairs. Available with or without.

1225 Cartridge

Offers high flow rate for fast tub fills. Easy-to-service design. Can be rotated for back-to-back installations in large-scale projects.

Temperature Memory

Handle stays in the last position the user had set when they turned the shower off, so they can return to the same temperature setting within seconds.

Adjustable Temperature Limit Stop

Allows user to control the maximum hot water temperature to prevent scalding.



Posi-Temp®

FUNCTIONALITY

Cycling – lever rotates from cold to hot

VERTICAL SPA COMPATIBLE

When paired with 3372 or 3375 transfer valves

TRIM

Fits all Posi-Temp styles on the M•PACT® Common Valve System



INLET SIZE

1/2"

OUTLET SIZE

1/2"

Inlet Connection Options



IPS



CC



PEX



CPVC



PEX
COLD
EXPANSION

- The professional's choice: best-selling valve in the industry.
- Great value for entry-level construction or guest bathrooms.
- Pair with an Eco-Performance showerhead to meet low-flow requirements.

Pressure-Balancing Design

Maintains desired temperature within 3°F (1°C) to eliminate thermal shock when there is a pressure change in the supply system.

Meets ASSE 1016 compliance requirements for controlling temperature fluctuations at flow rates as low as 1.5 gpm—well below the 2.5 gpm testing standard—so you can safely pair Posi-Temp with Eco-Performance showerheads.

Forged Brass Body

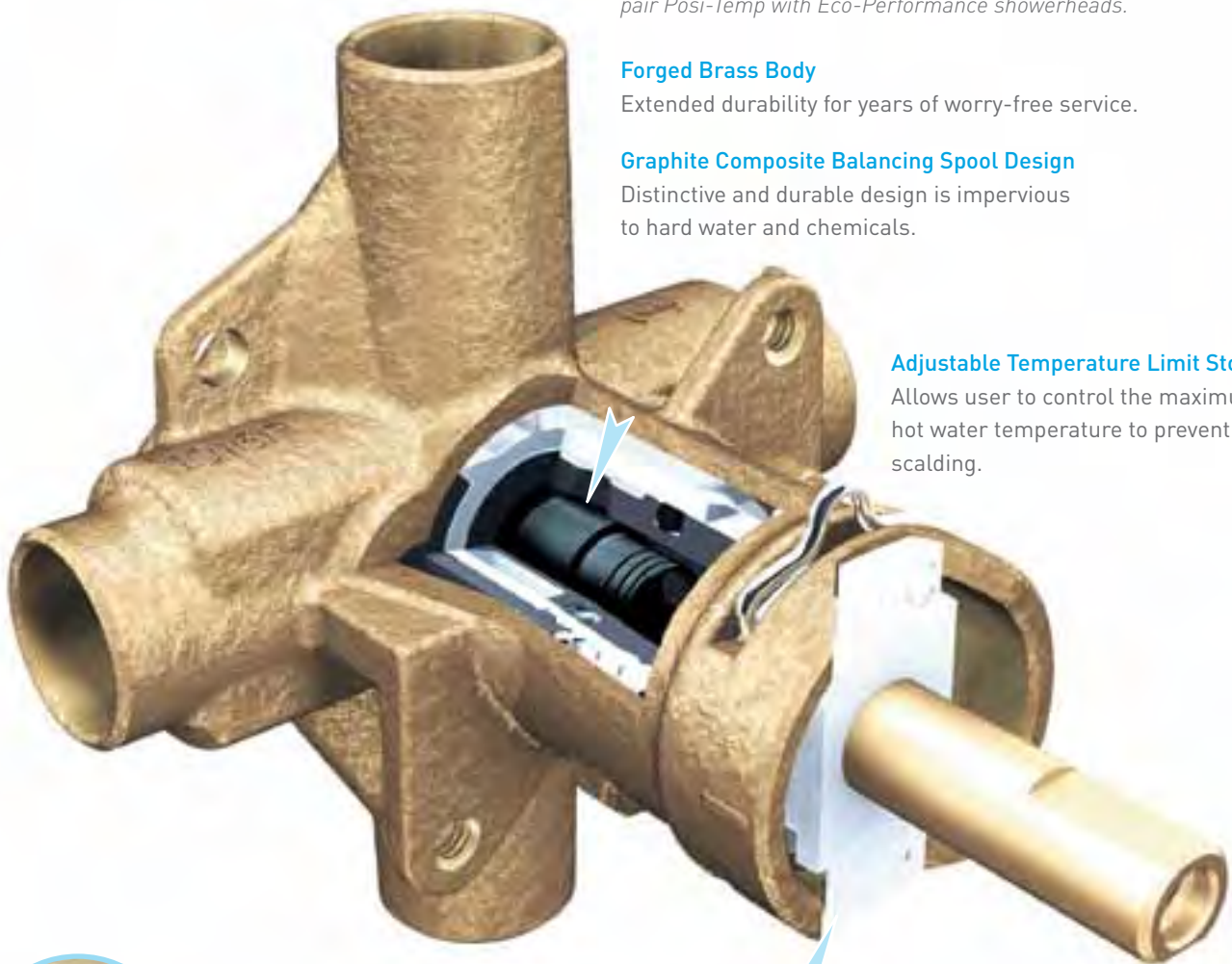
Extended durability for years of worry-free service.

Graphite Composite Balancing Spool Design

Distinctive and durable design is impervious to hard water and chemicals.

Adjustable Temperature Limit Stop

Allows user to control the maximum hot water temperature to prevent scalding.



Optional Integral Stops

Shut off water supply at the valve for quick and easy repairs. Available with or without.

1222 Cartridge

Offers high flow rate for fast tub fills. Easy-to-service design. Can be rotated for back-to-back installations in large-scale projects.



Optional Flush Plugs

Eases pressure tests and line flushing.



Two- or Three-Function Operation

Choose three-function model that allows for two individual spray outlets and one shared function, or two-function model that offers two discrete functions only to meet local codes.

116719 Cartridge

Offers 180° rotational control.

Transfer Valves

FUNCTIONALITY

Transfer – directs water-flow to spray outlets

VERTICAL SPA COMPATIBLE

Yes

TRIM

Standard

INLET SIZE

1/2"

OUTLET SIZE

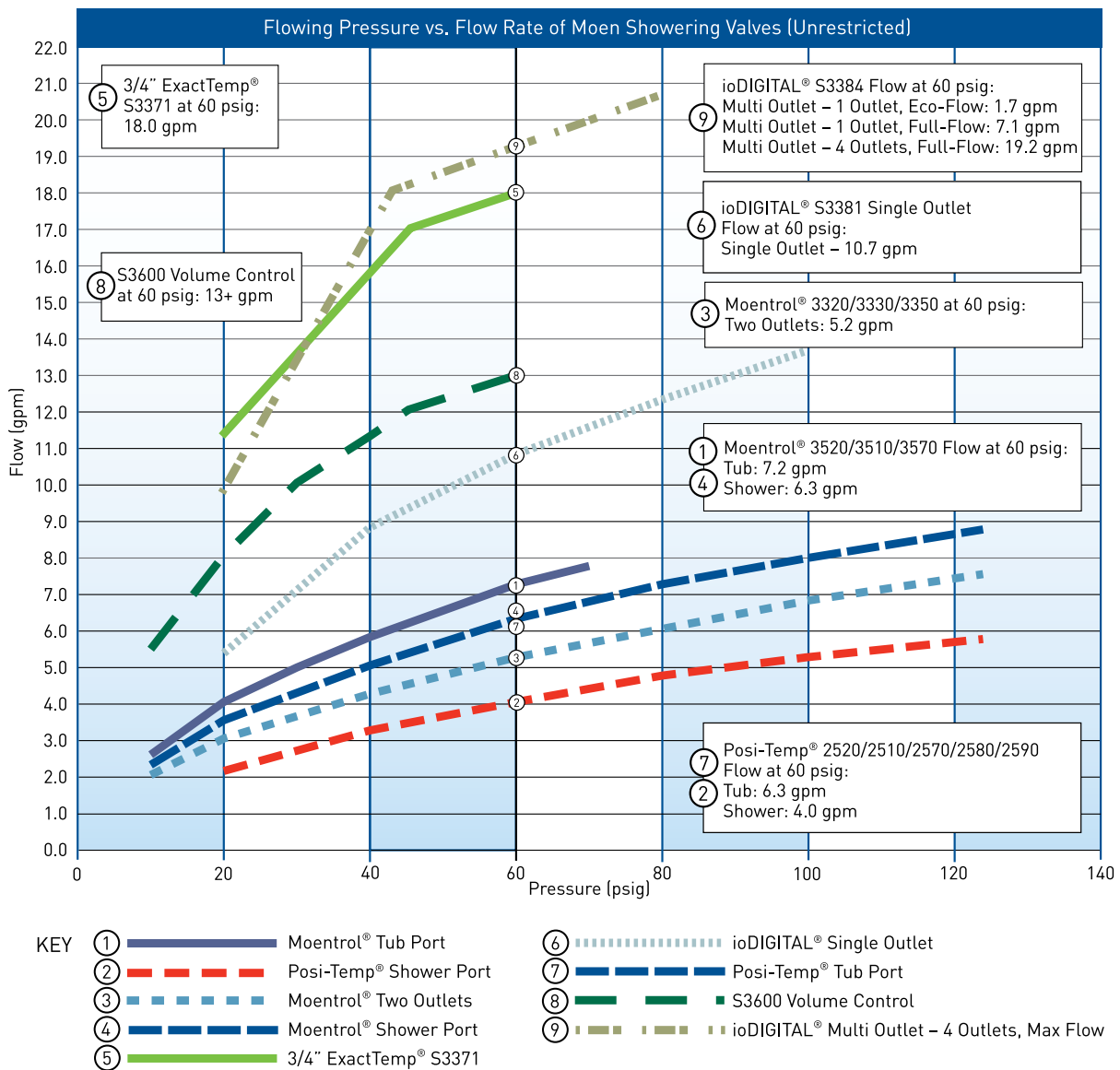
1/2"

Inlet Connection Options



CC


- Use in combination with a Posi-Temp or Moentrol mixing valve to create a custom shower design.
- Pair with either two body sprays, one showerhead or one hand shower to create a custom experience.
- Neutral style trim coordinates with any bath suite trim style.



Vertical Spa Installation Recommendations

Graph Line	Valve	Flow Rate through shower port (GPM) @ 20 PSI	Flow Rate through shower port (GPM) @ 40 PSI	Flow Rate through shower port (GPM) @ 60 PSI	Use with 2- or 3-function transfer	Maximum Components
2	Posi-Temp® 2520, 2510, 2570, 2580, 2590	2.1	3.2	4.0	Yes	Showerhead, hand shower
4	Moentrol® 3520, 3510, 3570	3.5	5.0	6.3	Yes	Showerhead, hand shower
3	Moentrol® Two Outlets 3320, 3330, 3350	*3.0	*4.2	*5.2	No	Showerhead, hand shower or showerhead, 2 body sprays
5	3/4" ExactTemp® S3371	11.4	15.7	18.0	No	4 components: Any combination of showerheads, hand showers and body sprays (4 max)
9	ioDIGITAL® S3384	10.0	17.0	19.2	No	4 components: Any combination of showerheads, hand showers and body sprays (max 3 body sprays to any one outlet)

*Moentrol® Two Outlets flow is the total flow when used in the shared mode.

 ADA Many Moen faucets and shower valve controls meet requirements for the physically challenged.

 The M•PACT® Common Valve System. Install it once, and you can upgrade style at any point in the decorating or construction process—or switch style years down the road—without replacing any faucet plumbing.

Although descriptions are believed correct at publication approval, accuracy cannot be guaranteed.

Moen reserves the right to make product specification changes from time to time, without notice or obligation, and to change or discontinue models.

® ExactTemp, ioDIGITAL, M•PACT, Moen, Moentrol, Posi-Temp, the Moen “Buy it for looks. Buy it for life.” logo and the Moen waterdrop design are Registered Trademarks of Moen Incorporated.



Visit our web site at moen.com

© Moen Incorporated 2012

U.S. Headquarters:
Moen Incorporated
25300 Al Moen Drive
North Olmsted, OH 44070-8022
1-800-BUY-MOEN

Canadian Headquarters:
Moen, Inc.
2816 Bristol Circle, Oakville, Ontario
L6H 5S7
1-800-465-6130

 **MOEN**
Buy it for looks. Buy it for life.®



Buy it for looks. Buy it for life.®

Specifications

DESCRIPTION

- Handheld shower available in various finishes identified by suffix
- 69" double interlock spiral hose (metal)
- Double check valve in handle
- Adjustable wall bracket

OPERATION

- Single function
- Wall bracket rotates to adjust angle of hand shower

FLOW

- Designed to deliver 2.0 gpm (7.6 L/min) max.
- EP suffix models are limited to 2.0 gpm (7.6 L/min) max for products manufactured prior to June 30, 2018. EP suffix models manufactured after June 30, 2018 are limited to 1.75 gpm (6.7 L/min) max.

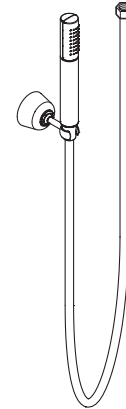
STANDARDS

- Designed and manufactured to comply with the applicable requirements of ASME A112.18.1/CSA B-125.1 and ASSE 1014 and all applicable specifications referenced therein
- EP suffix models are third party certified to WaterSense®

WARRANTY

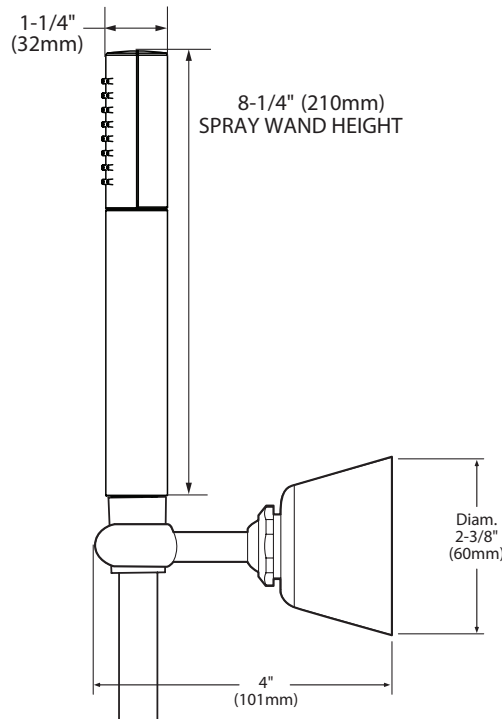
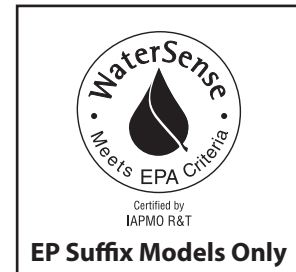
- Lifetime limited warranty against leaks, drips and finish defects to the original homeowner
- 10 year limited warranty when used in a multifamily installation
- 5 year limited warranty when used in a commercial installation

Visit www.moen.com/support for complete details and limitations



Handshower with Bracket & Hose

Models: S11705 series



CRITICAL DIMENSIONS

(DO NOT SCALE)



Buy it for looks. Buy it for life.®

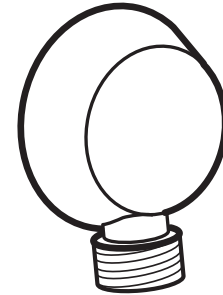
Specifications

DESCRIPTION

- Metal construction with various finishes identified by suffix

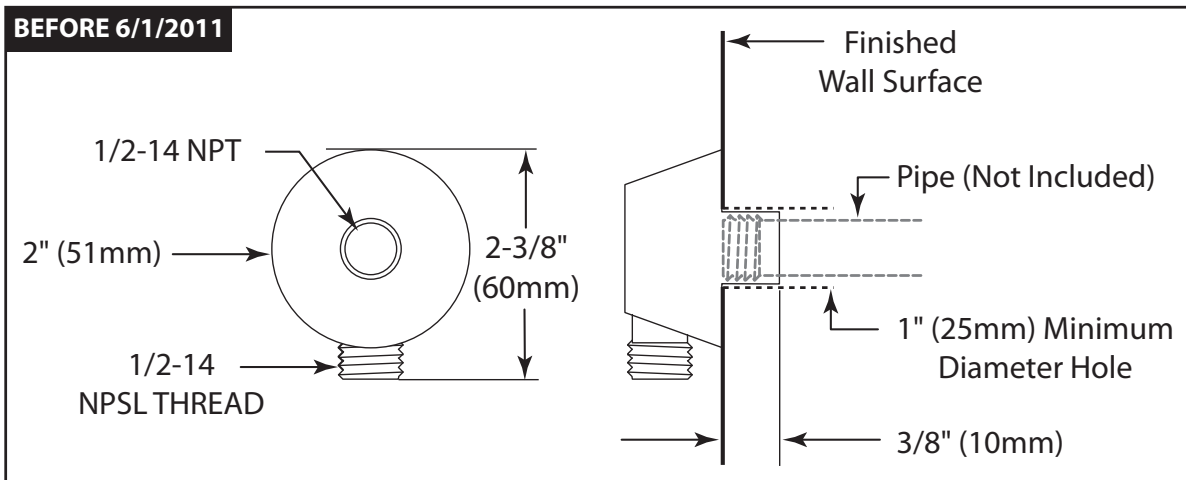
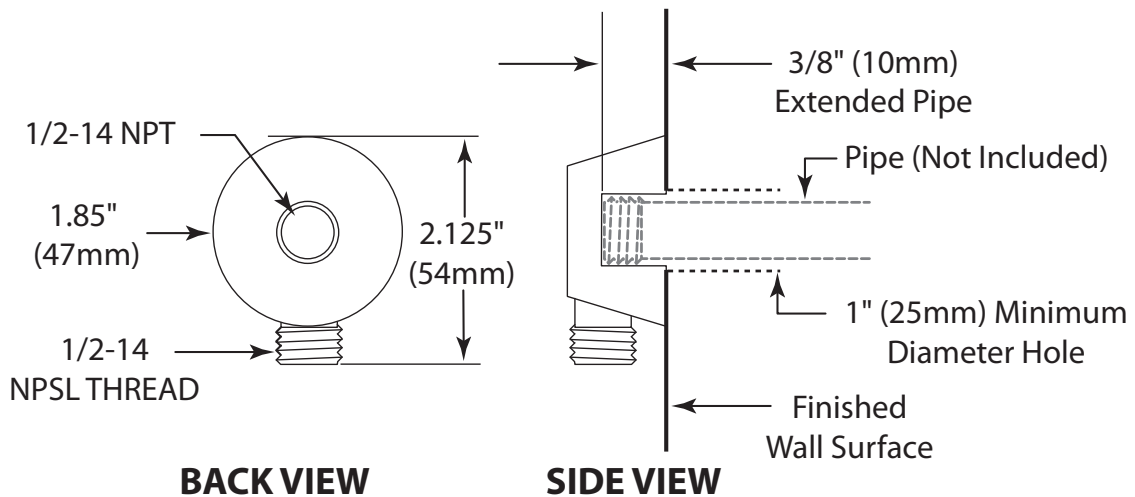
WARRANTY

- Warranted for one year against material or manufacturing defects



DROP ELL

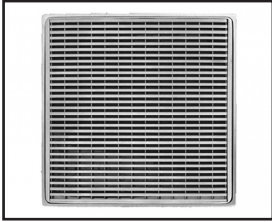
Models: A725 series



CRITICAL DIMENSIONS

(DO NOT SCALE)

ID Infinity Drain



WD 4-2 Wedge Wire Premium Center Drain Series

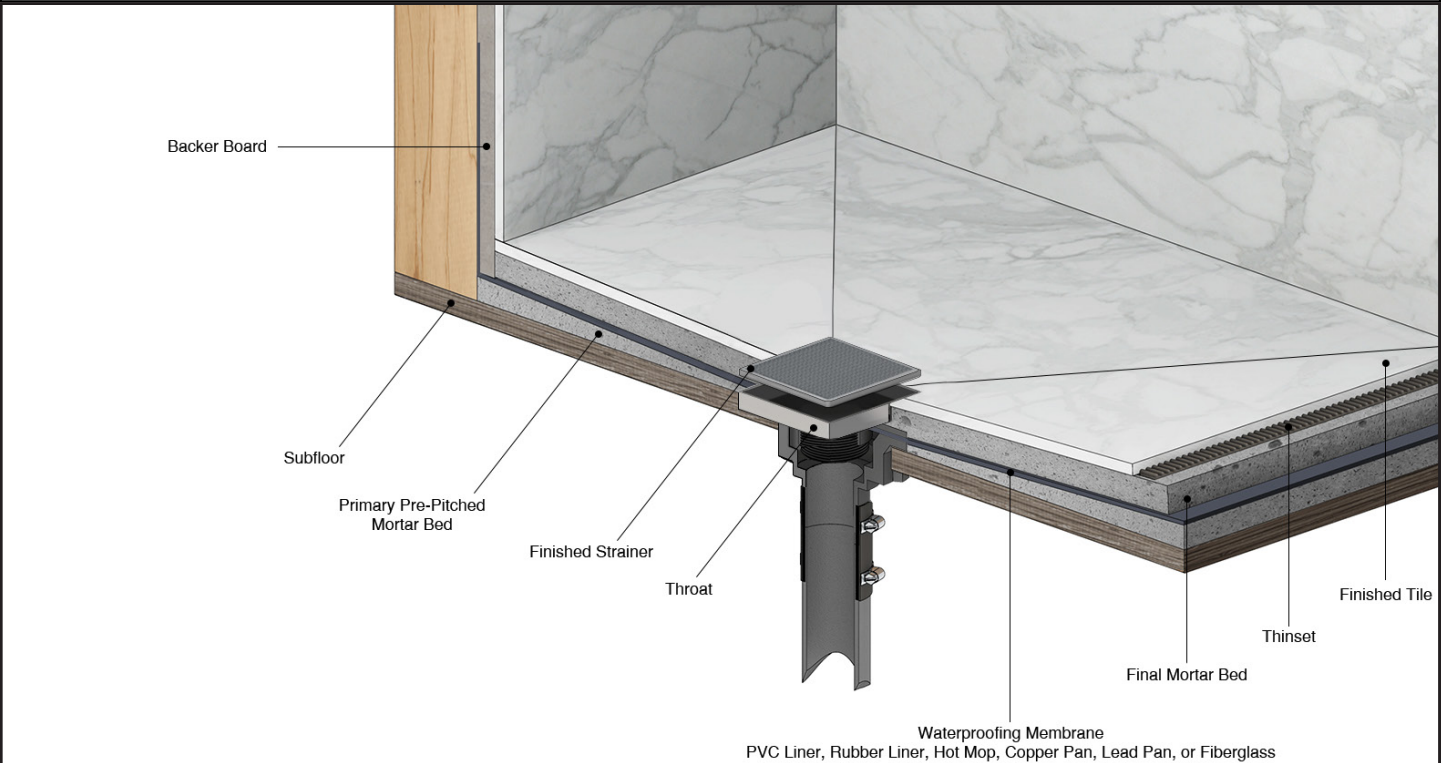
Complete Kits:

- WD 4-2I
- WD 4-2P
- WD 4-2A

Features

- 304L Stainless Steel Throat and Decorative Plate
- 3/16" Thick decorative plate
- 3/8" Depth throat
- Interior or Exterior use
- Grate can be removed completely for cleaning
- Requires traditional 4-way floor pitch
- Flow rate 9 GPM with 2" outlet

Installation



Care & Maintenance

WD 4-2 stainless steel throat and decorative plate are made of 304L stainless steel. This material is non-porous, hygienic, rust-free and extremely durable. Bar Keepers Friend® and Soft Scrub® are commonly available products that can be used to protect and clean your Satin Stainless drain cover. For stains that have been left for an excessive amount of time, stronger cleaning agents such as Steel Brite® may be needed. For all finishes we recommend using mild soap and a soft cloth for cleaning. DO NOT use any abrasive cleaners, scrub pads or allow household cleaning agents, such as bleach, to sit on the drain cover for a long period of time. Stainless steel does not rust. External factors, such as contamination from other highly ferrous metals, built up road salt, sea salt, or chlorine may have caused "surface" rust which can be removed using Barkeepers Friend®, Soft Scrub® with Bleach, or Steel Brite®. Always follow the directions on the bottle. Follow proper maintenance procedures to prevent excessive surface rust. In areas of frequent exposure to salt, chlorine, and other chemical compounds, maintenance of the stainless grates should be performed at least 2-3 times per year.

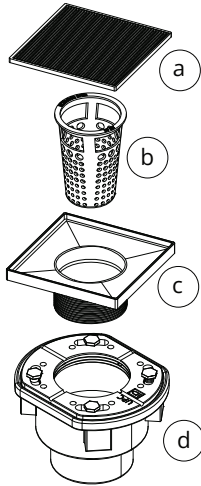
Infinity Drain
145 Dixon Avenue
Amityville, NY 11701
Phone: 516.767.6786
Fax: 516.740.3066
www.Infinity Drain.com



NOTE: Installer must verify all rough-in dimensions prior to installation and consult local and national codes. Conformity and compliance to local and national codes are the responsibility of the installer.

WD 4-2 Specifications

ID Infinity Drain



- (a) WS 4 - Decorative Plate
- (b) HB 65 - Hair Basket
- (c) T 42 - 2" Throat
- (d) 2 inch Drain Body

- Finishes Available:
- Satin Stainless (SS)
 - Polished Stainless (PS)
 - Oil Rubbed Bronze (ORB)
 - Satin Bronze (SB)
 - Matte Black (BK)

Components:

WD 4-2I

4" x 4" Kit with Cast Iron Drain Body
2" Throat. 2" No Hub Outlet.

Kit Includes:

- (4" L x 4" W x 3/8" H)- Strainer
- 1 - WS 4 Wedge Wire Decorative Plate
- 1 - T 42 Throat
- 1 - HMK-C2-W Hair Maintenance Kit:
 - 1 - HB 65 Hair Basket
 - 1 - WKEY Lift Out Key
- 1 - CDI 22 Cast Iron Drain Body Assembly

WD 4-2A

4" x 4" Kit with ABS Drain Body
2" Throat. 2" No Hub Outlet.

Kit Includes:

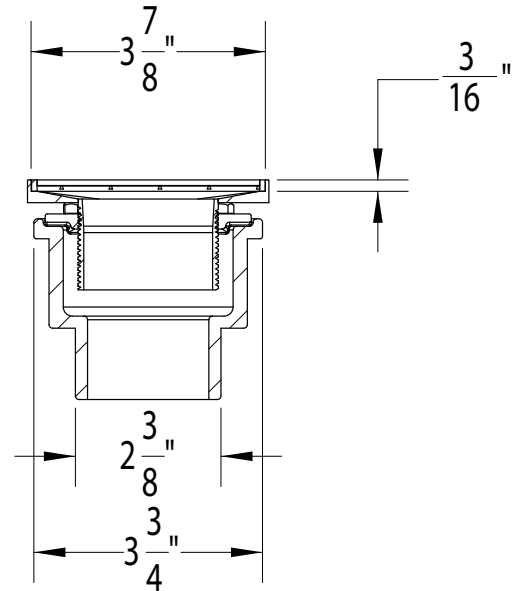
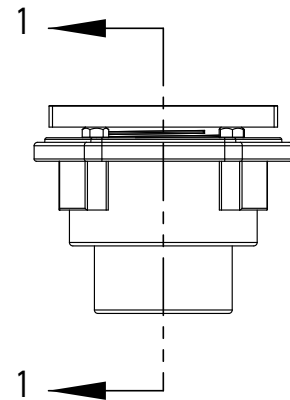
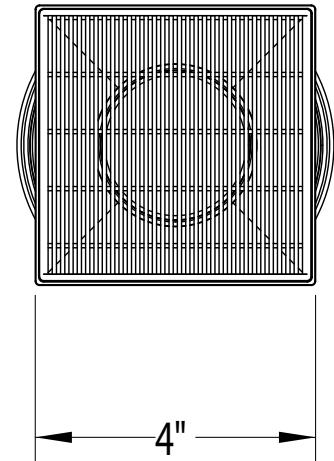
- (4" L x 4" W x 3/8" H)- Strainer
- 1 - WS 4 Wedge Wire Decorative Plate
- 1 - T 42 Throat
- 1 - HMK-C2-W Hair Maintenance Kit:
 - 1 - HB 65 Hair Basket
 - 1 - WKEY Lift Out Key
- 1 - CDA 22 ABS Drain Body Assembly

WD 4-2P

4" x 4" Kit with PVC Drain Body
2" Throat. 2" No Hub Outlet.

Kit Includes:

- (4" L x 4" W x 3/8" H)- Strainer
- 1 - WS 4 Wedge Wire Decorative Plate
- 1 - T 42 Throat
- 1 - HMK-C2-W Hair Maintenance Kit:
 - 1 - HB 65 Hair Basket
 - 1 - WKEY Lift Out Key
- 1 - CDP 22 PVC Drain Body Assembly



SECTION 1-1

Infinity Drain
145 Dixon Avenue
Amityville, NY 11701
Phone: 516.767.6786
Fax: 516.740.3066
www.InfinityDrain.com



NOTE: Installer must verify all rough-in dimensions prior to installation and consult local and national codes. Conformity and compliance to local and national codes are the responsibility of the installer.

ALCOVE TUB POP-UP DRAIN & OVERFLOW COVER

SKU: 948039

Code: SH622



ASME A112.18.1/CSA B125.1, ASME A112.18.2/CSA B125.2, Massachusetts Accepted, LISTED ID: SH622**



ADDITIONAL FEATURES

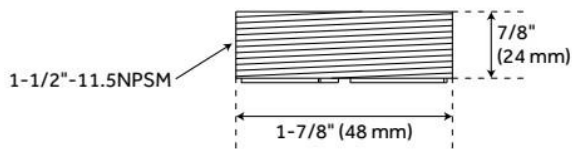
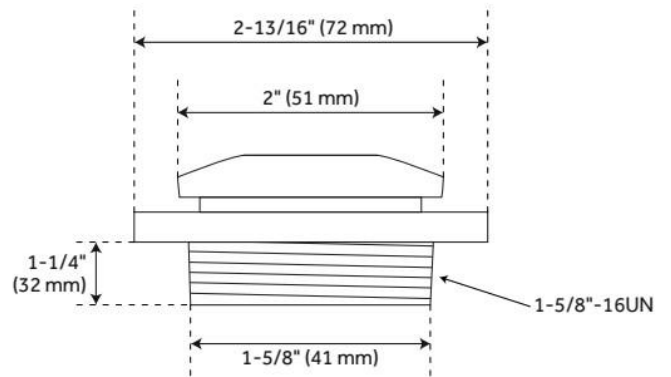
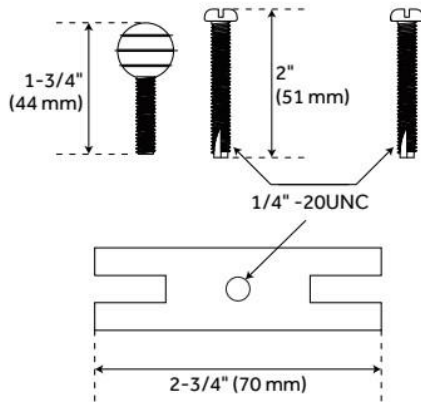
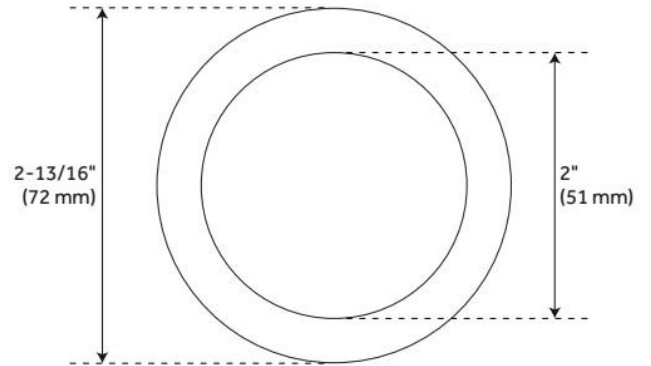
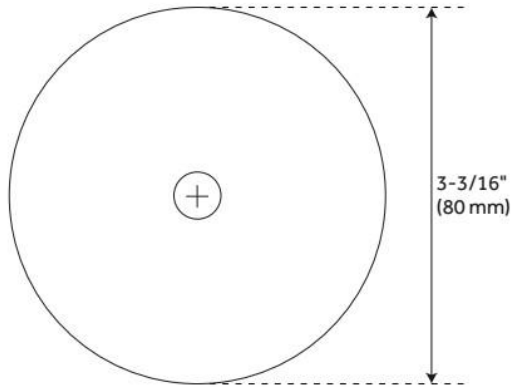
- Drain Escutcheon Diameter: 2-13/16"
- Overflow Cover Diameter: 3-3/16".

REVISED 9/2/2025

ALCOVE TUB POP-UP DRAIN & OVERFLOW COVER

SKU: 948039

Code: SH622



REVISED 9/2/2025

DESCRIPTION

- Metal construction with various finishes identified by suffix
- Includes showerhead, arm, flange and diverter spout
- Includes red and blue temperature markings

OPERATION

- Handle operates counterclockwise through a 270° arc with off at 6 o'clock and maximum hot at the 9 o'clock position. Shut off in clockwise direction
- Adjustable temperature limit stop to control maximum hot water temperature
- Pressure balancing mechanism maintains selected discharge temperature to ± 3°

FLOW

- EP suffix models are limited to 1.75 gpm (6.6 L/min) at 80 psi

CARTRIDGE

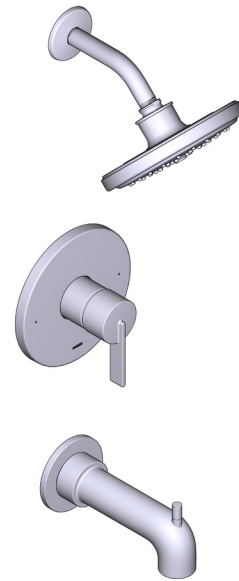
- 1212 cartridge design
- Nonmetallic/nonferrous and stainless steel materials
- Accommodates back to back installations

STANDARDS

- Third party certified to meet ASME A112.18.1/CSA B125.1 and all applicable requirements referenced therein
- EP suffix models are third party certified to WaterSense®
- ADA for lever handle

WARRANTY

- Lifetime limited warranty against leaks, drips and finish defects to the original homeowner
- 10 year limited warranty when used in a multifamily installation
- 5 year limited warranty when used in a commercial installation
- Visit www.moen.com/support for complete details and limitations



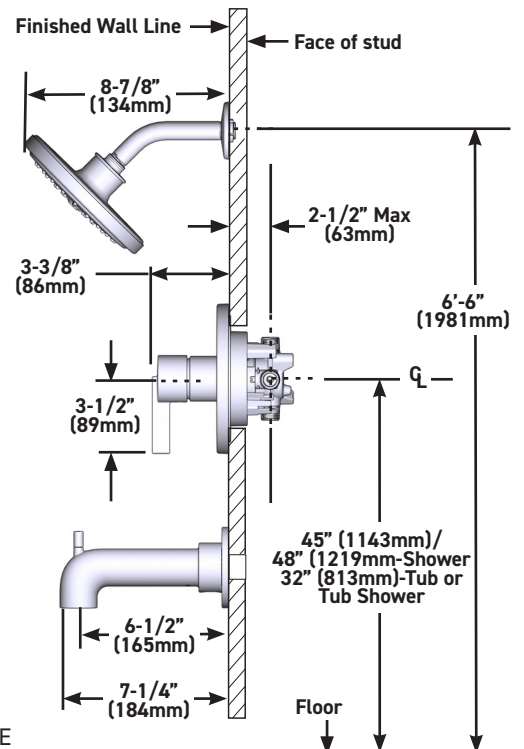
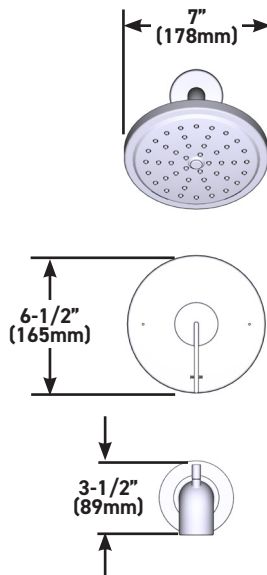
CIA™

Single-Handle MCore™ 2-Series Tub/Shower Trim Kit

- MODELS:** UT2261 series - valve trim only
 UT2262EP series - shower trim only
 UT2263EP series - tub/shower trim

NOTE:

Valves: U140 series, U130 series



CRITICAL DIMENSIONS DO NOT SCALE

DESCRIPTION

- Brass Construction
- 1/4 turn stops on each inlet
- Available with 1/2" CC/IPS, PEX, Cold Expansion PEX, or CPVC Connections
- Shower outlet matches inlet connection type
- Tub outlet is CC/IPS

OPERATION

- Supplied Flush Plug allows testing up to 200 PSI with air (300 PSI water)
- Installation in thin or thick wall applications

CARTRIDGE

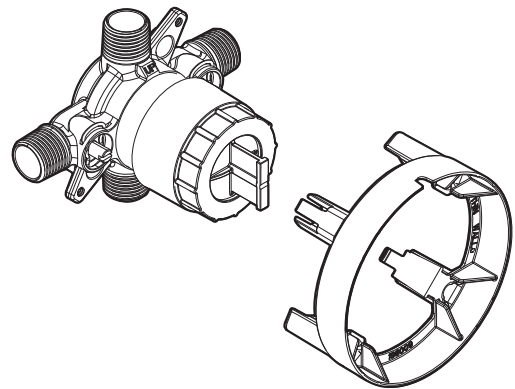
- Cartridge is supplied in the M-CORE™ Trim Kit

STANDARDS

- Third party certified to meet ASME A112.18.1/CSA B125.1, and all applicable requirements referenced therein

WARRANTY

- Lifetime limited warranty against leaks, drips and finish defects to the original homeowner
 - 10 year limited warranty when used in a multifamily installation
 - 5 year limited warranty when used in a commercial installation
- Visit www.moen.com/support for complete details and limitations



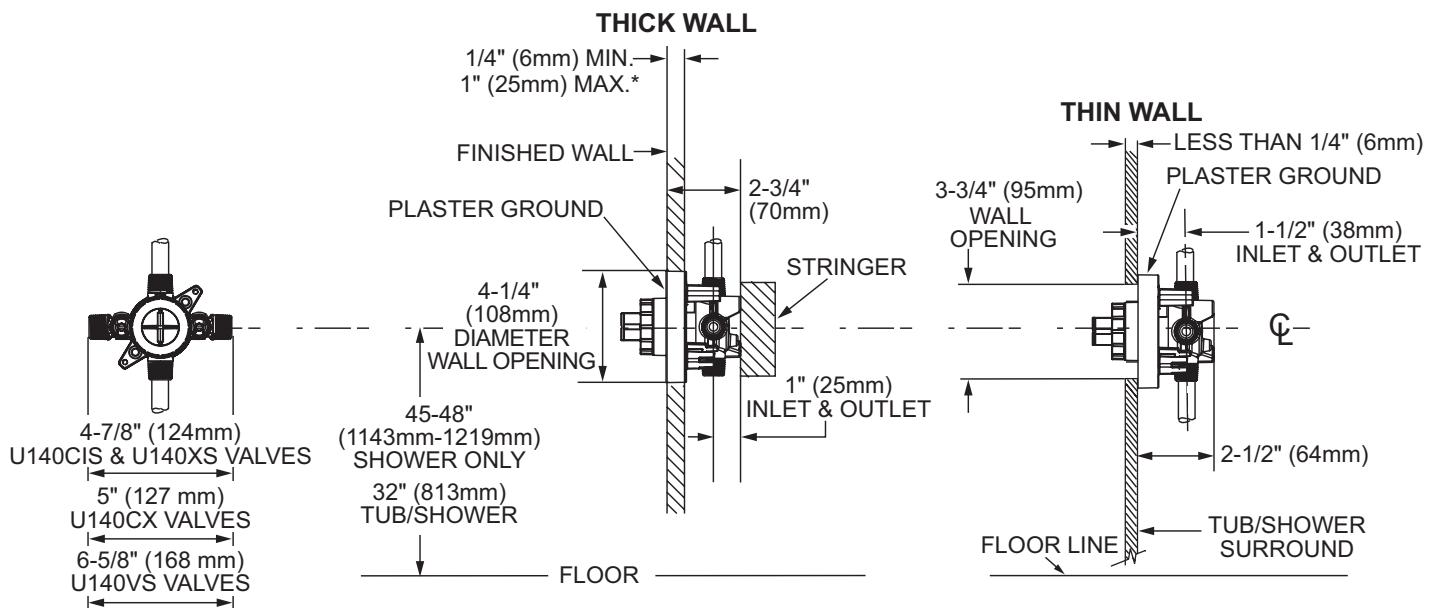
M-CORE™ 4 Port Rough-In Valve With 1/4 Turn Stops

Models:

U140CIS
U140XS
U140CXS
U140VS

Inlet Connection

CC/IPS
PEX
Cold Expansion PEX
CPVC



* Walls thicker than 1" (25mm) require optional extension kit.

CRITICAL DIMENSIONS

(DO NOT SCALE)

FOR MORE INFORMATION CALL: 1-800-BUY-MOEN

www.moen.com

DESCRIPTION

- Metal construction with various finishes identified by suffix
- Designed to be installed on a 1/2" pipe slip fit-CC connection
- Non-diverting

STANDARDS

- Third party certified to: ASME A112.18.1/CSA B125.1 and all applicable requirements referenced therein

WARRANTY

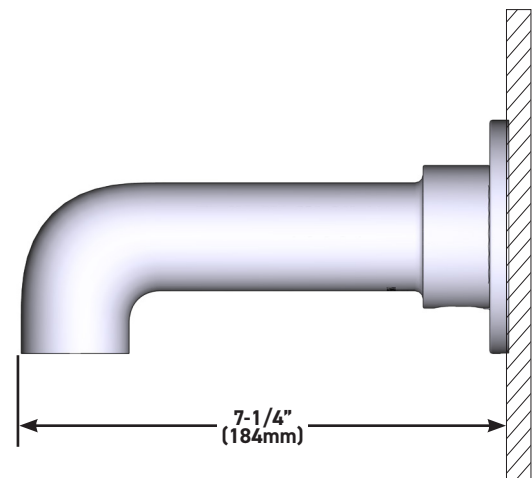
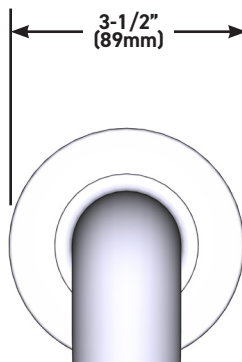
- Lifetime limited warranty against leaks, drips and finish defects to the original homeowner
- 10 year limited warranty when used in a multifamily installation
- 5 year limited warranty when used in a commercial installation
- Visit www.moen.com/support for complete details and limitations



CIA™

1/2" Slip Fit Non-Diverting Tub Spout

MODELS: 3347 series



CRITICAL DIMENSIONS DO NOT SCALE

Nexus® WASHLET®+ S7 Two-Piece Toilet - 1.28 GPF

FEATURES

- Concealed supply connection for seamless installation
- High-efficiency TORNADO FLUSH® system - 1.28 GPF (4.8 LPF)
- CEFIONTECT® ceramic glaze minimizes waste from sticking to porous ceramic surfaces
- Completely skirted design for a sleek and understated look that's easier to clean
- Universal Height
- Chrome plated trip lever
- 12" Rough-in
- Elongated front bowl and WASHLET+ S7 and tank set
- EWATER+® auto-cleans wand and bowl after every use
- PREMIST® automatically mists the bowl before each use
- Multifunction pearl white block-style remote control
- Night light
- Auto flush available as upgrade



MODELS

- **MW4424726CEFGA (#01)**
With CEFIONTECT ceramic glaze, WASHLET+ S7 with contemporary design and Auto Flush
 - **CT442CUFGT40**
Elongated bowl with CEFIONTECT
 - **ST442EA**
Tank and cover only
 - **SW4726AT40**
WASHLET+ S7
 - **THU857**
Auto Flush Kit
 - **9AU321-A**
WASHLET Adaptor
- **MW4424726CEFG (#01)**
Same as MW4424726CEFG without Auto Flush

OPTIONAL COMPONENTS

- **TSU10W.14**
14" Unifit Rough-In
- **THU750(#01, #BN, # PN)**
Trip Lever (Cotton, Brushed Nickel, Polished Nickel)

COLORS/FINISHES

- #01 Cotton

- TORNADO FLUSH**
- EWATER+**
- CEFIONTECT**
- Auto Flush**
- UNIVERSAL HEIGHT**

PRODUCT SPECIFICATION

The two-piece high-efficiency TORNADO FLUSH system toilet shall be 1.28 GPF (4.8 LPF). Toilet shall be 12" Unifit rough-in. Toilet shall have CEFIONTECT ceramic glaze and be at Universal Height. Toilet shall have elongated front bowl and Polished Chrome trip lever. Toilet shall be TOTO Model MW4424726CEFG__#01.

See SW4726AT40 Specification Sheet for details on included WASHLET.

CODES/STANDARDS

- Meets and exceeds ASME A112.19.2/CSA B45.1
- Certifications: IAPMO (cUPC®), EPA WaterSense®, State of Massachusetts, City of Los Angeles, and others
- Code compliance: UPC, IPC, NSPC, NPC Canada, and others
- Legislative Compliance: California AB715, California Green Building Code, City of Los Angeles Water Efficiency Ordinance, and others
- ADA compliant for residential use with autoflush feature model, or with trip lever located on the approach side
- Complies with CA Prop 65 warning requirements



MW4424726CEFG(A)

Nexus® WASHLET®+ S7
Two-Piece Toilet - 1.28 GPF

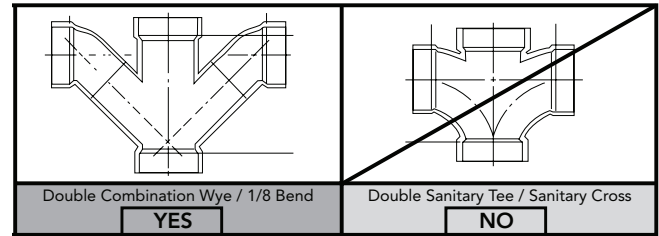
SPECIFICATIONS

Water Use	1.28 GPF (4.8 LPF)
Flush System	TORNADO FLUSH®
Min. Water Pressure	8 psi (Flowing)
Water Surface	6-5/8" x 9-1/8"
Trap Diameter	2-1/8"
Rough-in	12" (14" option available)
Trap Seal	2-1/8"
Warranty	One Year Limited Warranty
Material	Vitreous China
Shipping Weight	CT442CUF(G)T40: 87 lbs ST442EA: 25 lbs SW4726AT40: 14.5 lbs
Shipping Dimensions	CT442CUF(G)T40 29-3/4" L x 18-1/4" W x 18-3/4" H ST442EA 17-1/4" L x 7-7/8" W x 17-1/2" H SW4726AT40 23-3/8" L x 17-5/8" W x 6-1/4" H

See SW4726AT40 Specification Sheet for details on included WASHLET.

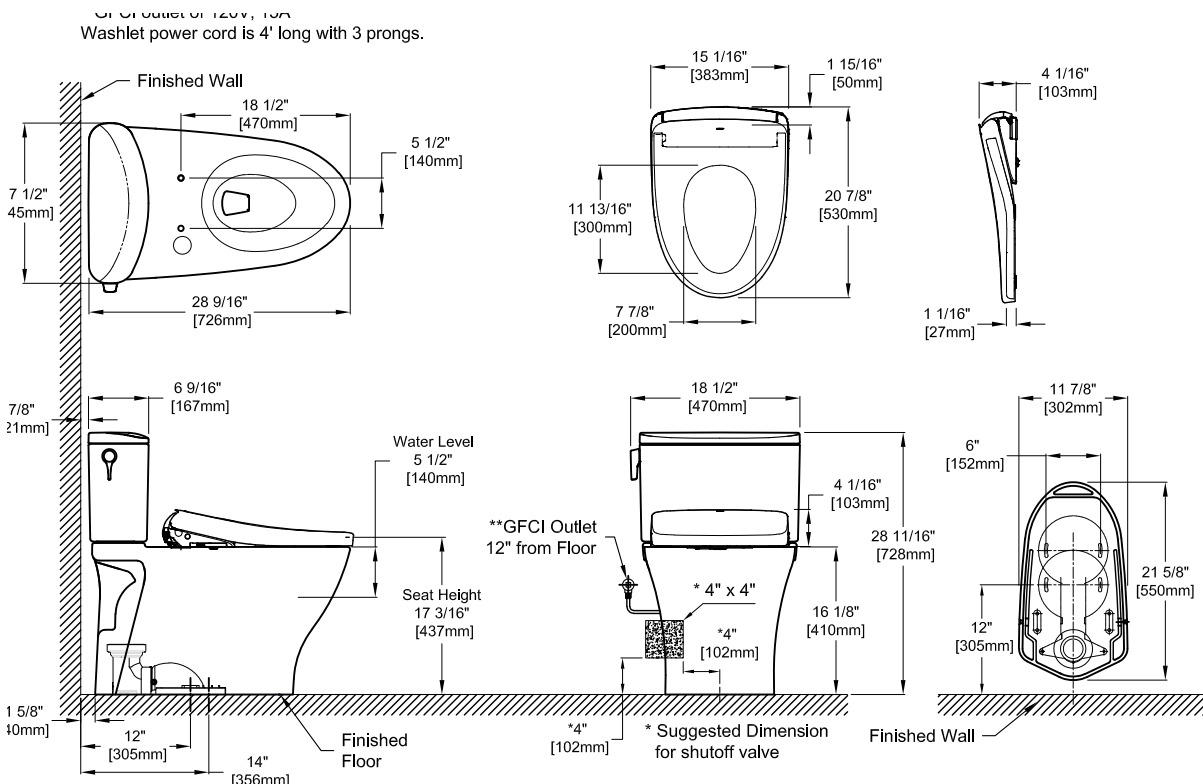
INSTALLATION NOTES

Back-to-Back Toilet Installations:
TOTO recommends the use of a nationally listed, double sanitary tee-wye only, in vertical waste stacks, in accordance with the stipulations noted in the majority of nationally recognized plumbing codes.



To maintain adequate wall gap between the back of the tank and wall, mount the floor flange at a nominal 12" rough-in distance.

DIMENSIONS



TOTO®

These dimensions and specifications are subject to change without notice

Downstairs Bath 1&2



Moen 6145BN

Gibson 1.2 GPM Single Hole Bathroom Faucet with Pop-Up Drain Assembly

Finish: Brushed Nickel

Qty: 2



Moen T3002EPBN

Gibson Shower Only Trim Package with 1.75 GPM Single Function Shower Head

Finish: Brushed Nickel

Qty: 2



Moen 62385

1/2 Inch Cold Expansion PEX Posi-Temp Pressure Balancing Rough-In Valve (With Stops)

Finish: N/A

Qty: 2



Infinity Drain LND4-2A SS

4" x 4" LND 4 Slotted Pattern Center Drain Kit, ABS Drain Body and 2" Outlet

Finish: Satin Stainless

Qty: 2



American Standard 2989101.02

Cadet 3 Elongated Two-Piece Toilet with Concealed Trapway, EverClean Surface, PowerWash Rim and Right Height Bowl - Includes Slow-Close Seat

Finish: White

Qty: 2

Items In Downstairs Bath 1&2	Spec Sheets
Moen 6145BN	✓
Moen T3002EPBN	✓
Moen 62385	✓
Infinity Drain LND4-2A SS	✓
American Standard 2989101.02	✓



Buy it for looks. Buy it for life.®

DESCRIPTION

- Metal construction with chrome finish
- Flexible supply lines with 3/8" compression fittings
- Includes metal pop-up waste assembly
- Includes optional 3 hole deck plate (escutcheon)

OPERATION

- Lever style handle with hot/cold temperature indicators
- Temperature controlled by 100° arc of handle travel

FLOW

- Water usage is limited to these maximum flow rates as indicated by the corresponding product markings
- 1.2 gpm max (4.5L/min) at 60 psi

CARTRIDGE

- 1255™ Duralast™ cartridge
- Nonmetallic/nonferrous and ceramic material

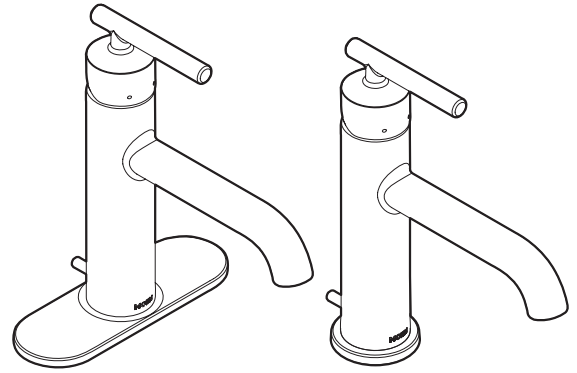
STANDARDS

- Third party certified to WaterSense,® ASME A112.18.1/CSA B125.1, and all applicable requirements referenced therein
- Certified to NSF 61/9 & 372
- Products marked with 1.2 gpm are compliant with California water efficiency regulations
- Complies with California Proposition 65 and with the Federal Safe Drinking Water Act
- **ADA** ♿ for lever handle

WARRANTY

- Lifetime limited warranty against leaks, drips and finish defects to the original consumer purchaser
- 5 year warranty if used in commercial installations

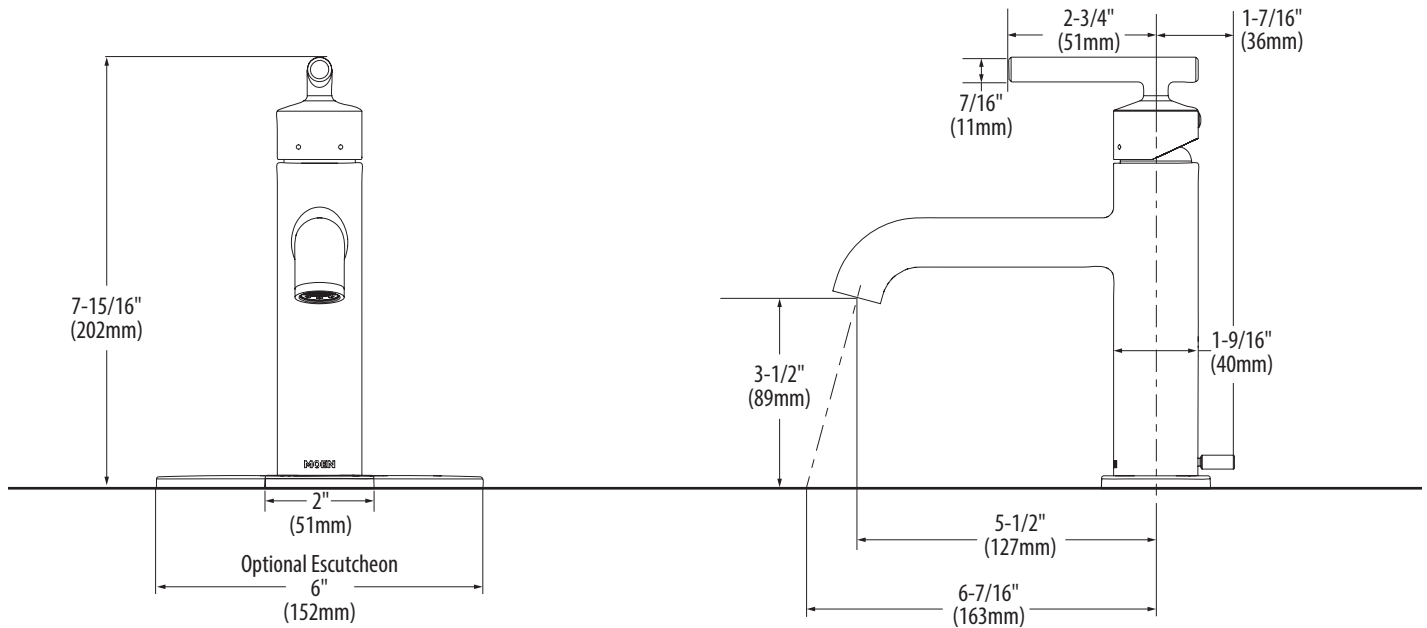
Specifications



Gibson™
Single-Handle Lavatory Faucet

Models: 6145

NOTE: THIS FAUCET IS DESIGNED TO BE INSTALLED THRU 1 HOLE, 1-1/4" MIN. DIA.



CRITICAL DIMENSIONS

(DO NOT SCALE)



Buy it for looks. Buy it for life.®

DESCRIPTION

- Metal construction with chrome finish
- Includes showerhead, arm, flange and diverter tub spout

OPERATION

- Lever style handle with red/blue temperature indicator on the escutcheon
- Handle operates counterclockwise through a 270° arc with off at 6 o'clock and maximum hot at the 9 o'clock position. Shut off in clockwise direction
- Adjustable temperature limit stop to control maximum hot water temperature
- Pressure balancing mechanism maintains selected discharge temperature to ± 3°

FLOW

- EP suffix models are limited to 2.0 gpm (7.6 L/min) at 80 psi

CARTRIDGE

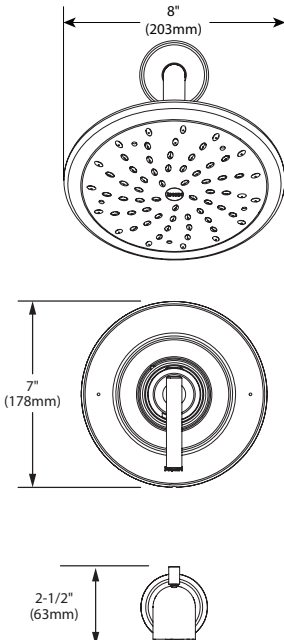
- 1222 cartridge design
- Accommodates back to back installations
- Nonmetallic, nonferrous and stainless steel material

STANDARDS

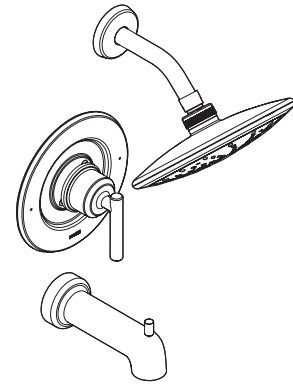
- Third party certified to meet ASME A112.18.1/CSA B125.1 and all applicable requirements referenced therein
- EP suffix models are third party certified to WaterSense®
- ADA ♿ for lever handle

WARRANTY

- Limited lifetime warranty against leaks, drips and finish defects to the original consumer purchaser
- 5 year warranty if used in commercial installations



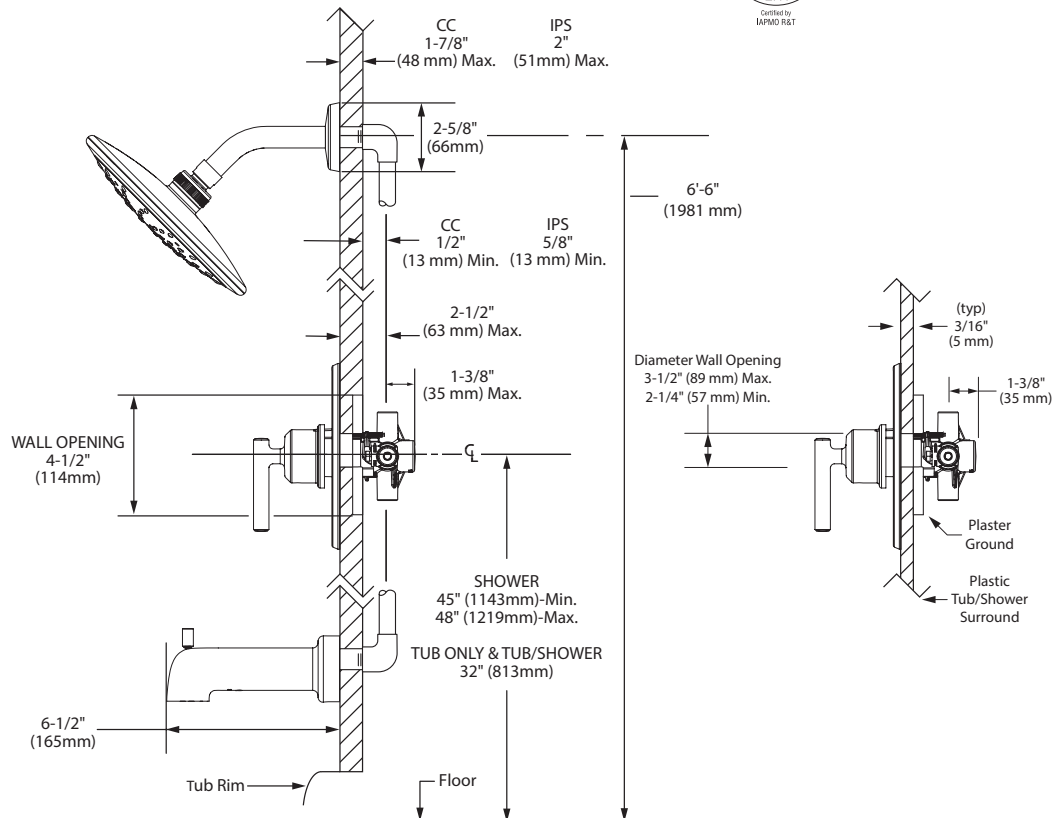
Specifications



**Gibson™
Single-Handle Tub/Shower Trim Kit**

Models: T3002EP series - shower trim only
T3003EP series - tub/shower trim

Valves: 62300 series
2500 series



**THICK WALL APPLICATION
CRITICAL DIMENSIONS**

THIN WALL APPLICATION

(DO NOT SCALE)



Shower Valve Options

THE POWER BEHIND THE SHOWER

 **MOEN**
Buy it for looks. Buy it for life.®



The Perfect Shower Starts Here.

Everybody has a slightly different idea of what makes a perfect shower. Which is exactly why Moen offers a choice of valve options to power the shower. From budget-conscious, basic control valves to fully featured systems that deliver an unparalleled custom spa experience, Moen valves are designed, tested and built to delight your client. Shower after shower.

Moen even considered your installation needs in our designs. Our valves are available in a wide array of plumbing connection options, include features that make completing the job easier and come backed by support that is as reliable as our products. All so you can use Moen with confidence.



M•PACT® Common Valve System

The innovative M•PACT Common Valve System keeps the construction process moving forward by accommodating installation of the shower valve before the homeowner has made a final decision on style or finish. It's easy to install, change or update any M•PACT-compatible trim kit at any point in time without replacing the valve.

M•PACT also provides an opportunity for builders to offer trim upgrades on spec-built homes. Once an M•PACT-compatible shower valve is installed, a trim upgrade can be easily swapped out.



Limited Lifetime Warranty

All Moen faucets come with our Limited Lifetime Warranty against leaks, drips and finish defects.

Questions?

Call our dedicated Trade Services hotline at 866.900.MOEN or contact your local, Moen-employed sales representative.



ioDIGITAL®
Vertical Spa
Valve



ioDIGITAL®
Shower
Valve



ExactTemp®
3/4"
Thermostatic
Valve



Moentrol®
with Multi-
Function
Transfer
Valve



Moentrol®
Pressure-
Balancing
Volume Control
Valve



Posi-Temp®
Pressure-
Balancing
Cycling Valve



Transfer
Valves
(two- or
three-
function)

	ioDIGITAL® Vertical Spa Valve	ioDIGITAL® Shower Valve	ExactTemp® 3/4" Thermostatic Valve	Moentrol® with Multi- Function Transfer Valve	Moentrol® Pressure- Balancing Volume Control Valve	Posi-Temp® Pressure- Balancing Cycling Valve	Transfer Valves (two- or three- function)
Comfort Features							
Temperature consistency Water temperature won't fluctuate even as the hot water in your tank gets lower.	●	●	●				
Maximum-flow vertical spa experience Provides the greatest balance of force, flow and coverage in a Moen vertical spa.	●		●				
Vertical spa-compatible Add an extra showerhead, hand shower — or design a complete vertical spa experience.	●	●*	●	●	●*	●*	●
Convenience Features							
Precision thermostatic control Dial up the same water temperature every day, just like a thermostat.	●	●	●				
Volume control Lets you adjust the amount of water that flows through your tub/shower from a gentle stream to full-force.	●	●	●***	●	●		
Temperature memory Dial stays in the same temperature position you last used and returns to that temperature within a few seconds.	●	●	●	●	●		
Safety Features							
Maximum temperature setting You can predetermine the hottest temperature setting before installation.	●	●	●	●	●	●	
Meets applicable pressure-balancing or thermostatic safety codes	●	●	●	●	●	●	N/A
Dependability Features							
Limited Lifetime Warranty	●**	●**	●	●	●	●	●
Easy-to-replace cartridge	N/A	N/A	●	●	●	●	●

* Must be used with three-function diverter valve [3372] or two-function diverter valve [3375] to obtain vertical spa compatibility.

** ioDIGITAL is warranted for 5 years against leaks, drips and operation defects to the original consumer purchaser; 1-year warranty if used in commercial applications. 5-year warranty on digital components, limited lifetime trim warranty.

*** Use with ExactTemp 3/4" volume control valves.



ioDIGITAL vertical spa controller



ioDIGITAL remote control

ioDIGITAL[®] Vertical Spa Valve

FUNCTIONALITY

Digital Thermostatic – computer-controlled temperature and flow

VERTICAL SPA COMPATIBLE

Yes

TRIM

Fits select styles on the M•PACT[®] Common Valve System



INLET SIZE

3/4"

OUTLET SIZE

1/2"

Inlet Connection Options



CC



PEX



CPVC

- Choose from vertical spa, shower or Roman tub.
- Requires water hammer arrestors for proper installation (vertical spa valve only).
- Optional remote control (RF technology) adds convenience by allowing users to operate their shower from up to 30 feet away.

KEY FEATURES

Integrated Mounting Feet

For ease of installation.

Valve Body Design

At less than 3-11/32" thick, the ioDIGITAL valve was engineered to fit within standard 2" x 4" framing, or the unit can be installed up to 30 feet from the shower for maximum design flexibility in both new construction and remodeling.



ioDIGITAL Shower Valve

- 1/2" inlets and outlets
- Shutoffs
- Mounting bracket

Push-Fit Connections

Push-fit connections speed installation and provide a secure fit. No soldering or threading needed.

Digital Control

Microchip processor provides unmatched electronic temperature and flow accuracy.

Maximum Temperature Setting

Easily and quickly adjust the maximum outlet temperature for this valve by turning a dial.

Memory Presets

Store up to four temperature, flow and device activation settings for instant recall of user-created experiences.


Buy it for looks. Buy it for life.®



ExactTemp[®] 3/4" Thermostatic Valve

FUNCTIONALITY

Thermostatic – automatically adjusts to fluctuations in the supply to maintain precise temperatures

VERTICAL SPA COMPATIBLE

Yes

TRIM

Complements all styles on the M•PACT[®] Common Valve System



INLET SIZE

3/4"

OUTLET SIZE

3/4"

Inlet Connection Options



3/4" IPS

- Tremendous flow capacity to design the ultimate vertical spa.
- Drives a wide variety of body spray, showerhead, hand shower and rainshower combinations.
- Must be used in combination with ExactTemp 3/4" volume control valves.

3/4" Volume Control Valve

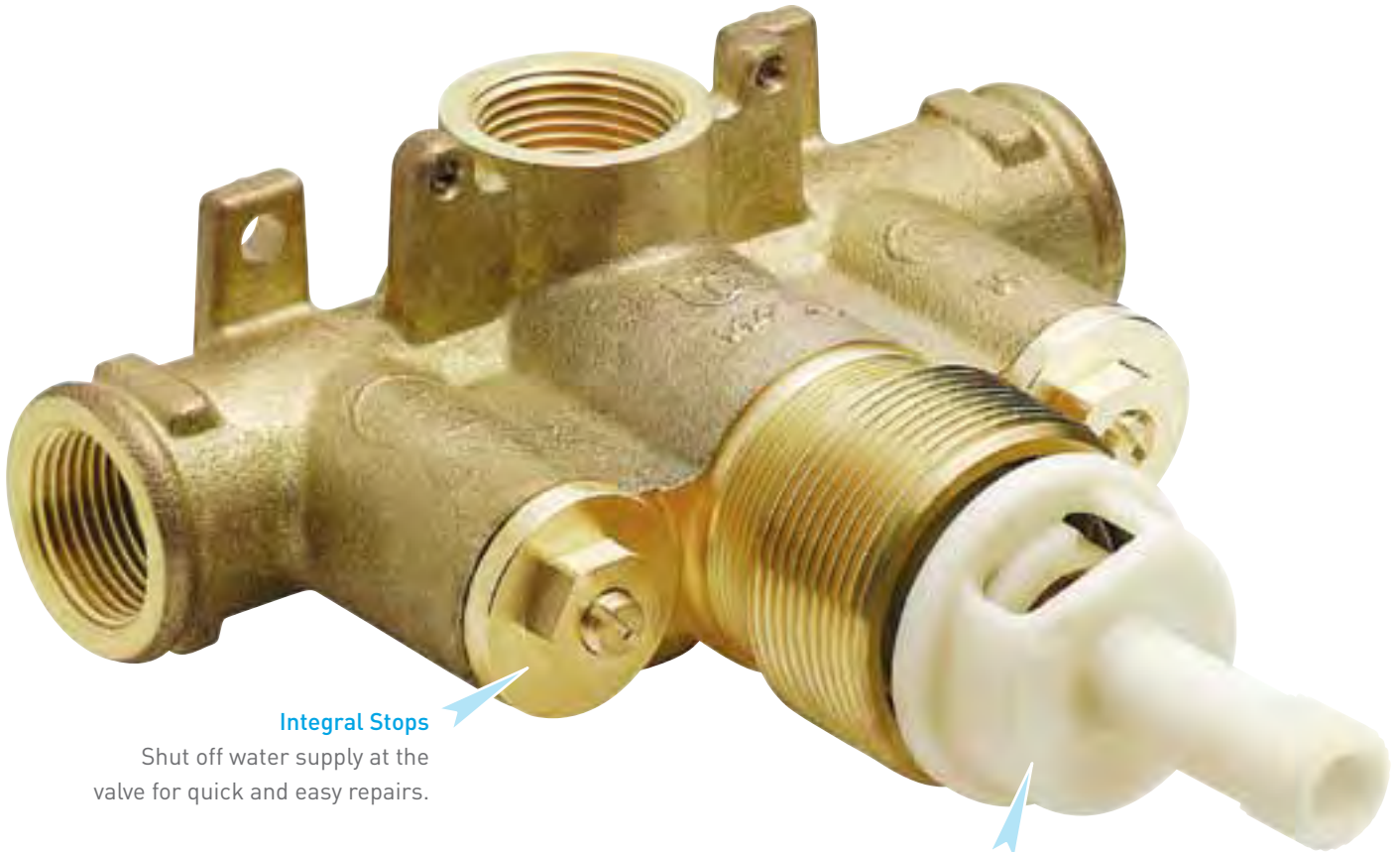


- Mounting brackets
- 3/4" IPS

ExactTemp[®]

3/4" Thermostatic Valve

KEY FEATURES



Integral Stops

Shut off water supply at the valve for quick and easy repairs.

Thermostatic Cartridge

Automatically compensates for changes in hot and cold water supply to ensure comfort and pinpoint temperature accuracy. Users can dial up the same temperature day after day. No need to readjust temperature as hot water tank begins to cool.

Temperature Limit Stop

Maximum hot water temperature set at 105°F to prevent scalding. Can be overridden to 120°F.

Temperature Memory

Handle stays in the last position the user had set when they turned the shower off, so they can return to the same temperature setting within seconds.



Moentrol[®] WITH Integrated Transfer Valve

FUNCTIONALITY

Volume and temperature control – handle pulls out to adjust flow and rotates from hot to cold

VERTICAL SPA COMPATIBLE

Yes

TRIM

Fits select styles on the M•PACT[®] Common Valve System



INLET SIZE

1/2"

OUTLET SIZE

1/2"

Inlet Connection Options



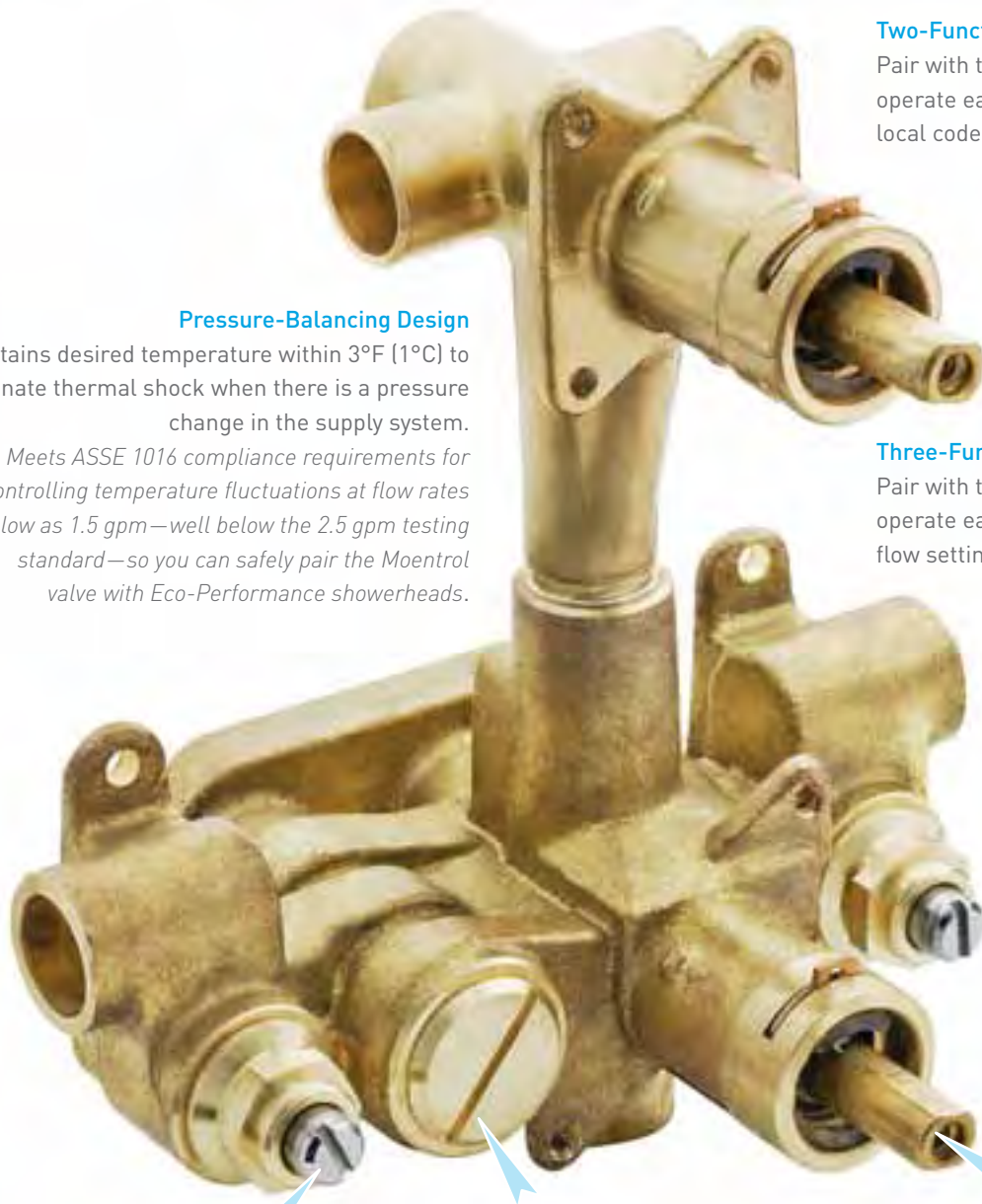
IPS



CC

- Integrated transfer valve offers an affordable vertical spa.
- Choose three-function models that allow for two individual spray outlets and one shared function, or a two-function model that offers two discrete functions only to meet local codes.
- Use with a combination of two body sprays, one showerhead or one hand shower to create a custom experience.

KEY FEATURES



Pressure-Balancing Design

Maintains desired temperature within 3°F (1°C) to eliminate thermal shock when there is a pressure change in the supply system.

Meets ASSE 1016 compliance requirements for controlling temperature fluctuations at flow rates as low as 1.5 gpm—well below the 2.5 gpm testing standard—so you can safely pair the Moentrol valve with Eco-Performance showerheads.

Two-Function Operation

Pair with two spray outlets so user can operate each individually in order to meet local code.

Three-Function Operation

Pair with two spray outlets so user can operate each individually or on a shared flow setting.

Adjustable Temperature Limit Stop

Allows user to control the maximum hot water temperature to prevent scalding.

1225 Cartridge

Offers high flow rate for a variety of showering systems. Easy-to-service design. Can be rotated for back-to-back installations in large-scale projects.

Integral Stops

Shut off water supply at the valve for quick and easy repairs.

Balancing Spool Design

Distinctive and durable design is impervious to hard water and chemicals.

Temperature Memory

Handle stays in the last position the user had set when they turned the shower off, so they can return to the same temperature setting within seconds.



Moentrol®

FUNCTIONALITY

Volume and temperature control – handle pulls out to adjust flow and rotates from hot to cold

VERTICAL SPA COMPATIBLE

When paired with 3372 or 3375 transfer valve

TRIM

Fits all Moentrol styles on the M•PACT® Common Valve System



INLET SIZE

1/2"

OUTLET SIZE

1/2"

Inlet Connection Options



IPS



CC

- Delivers the water flow and force consumers desire.

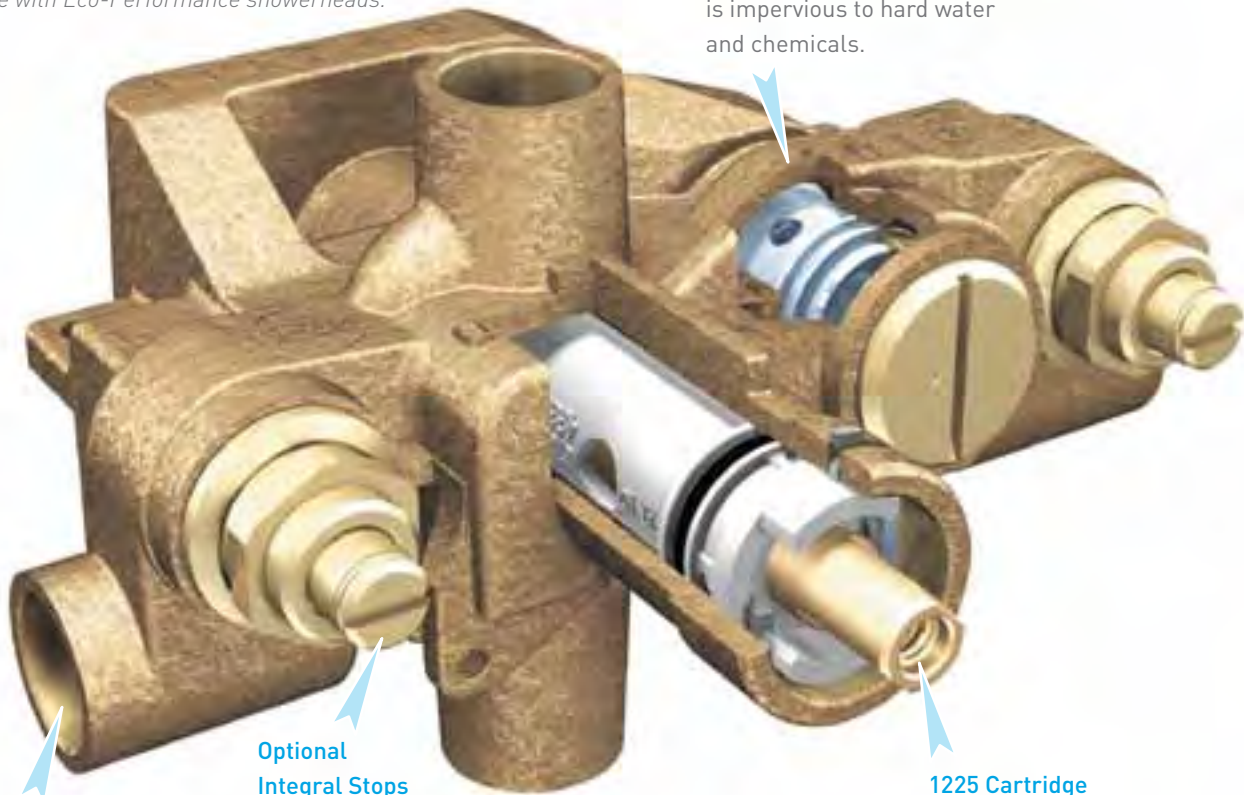
Pressure-Balancing Design

Maintains desired temperature within 3°F (1°C) to eliminate thermal shock when there is a pressure change in the supply system.

Meets ASSE 1016 compliance requirements for controlling temperature fluctuations at flow rates as low as 1.5 gpm—well below the 2.5 gpm testing standard—so you can safely pair the Moentrol valve with Eco-Performance showerheads.

Graphite Composite Balancing Spool Design

Distinctive and durable design is impervious to hard water and chemicals.



Inlet Connections

Choice of two connection types: IPS and copper sweat.

Optional Integral Stops

Shut off water supply at the valve for quick and easy repairs. Available with or without.

1225 Cartridge

Offers high flow rate for fast tub fills. Easy-to-service design. Can be rotated for back-to-back installations in large-scale projects.

Temperature Memory

Handle stays in the last position the user had set when they turned the shower off, so they can return to the same temperature setting within seconds.

Adjustable Temperature Limit Stop

Allows user to control the maximum hot water temperature to prevent scalding.



Posi-Temp®

FUNCTIONALITY

Cycling – lever rotates from cold to hot

VERTICAL SPA COMPATIBLE

When paired with 3372 or 3375 transfer valves

TRIM

Fits all Posi-Temp styles on the M•PACT® Common Valve System



INLET SIZE

1/2"

OUTLET SIZE

1/2"

Inlet Connection Options



IPS



CC



PEX



CPVC



PEX
COLD
EXPANSION

- The professional's choice: best-selling valve in the industry.
- Great value for entry-level construction or guest bathrooms.
- Pair with an Eco-Performance showerhead to meet low-flow requirements.

Pressure-Balancing Design

Maintains desired temperature within 3°F (1°C) to eliminate thermal shock when there is a pressure change in the supply system.

Meets ASSE 1016 compliance requirements for controlling temperature fluctuations at flow rates as low as 1.5 gpm—well below the 2.5 gpm testing standard—so you can safely pair Posi-Temp with Eco-Performance showerheads.

Forged Brass Body

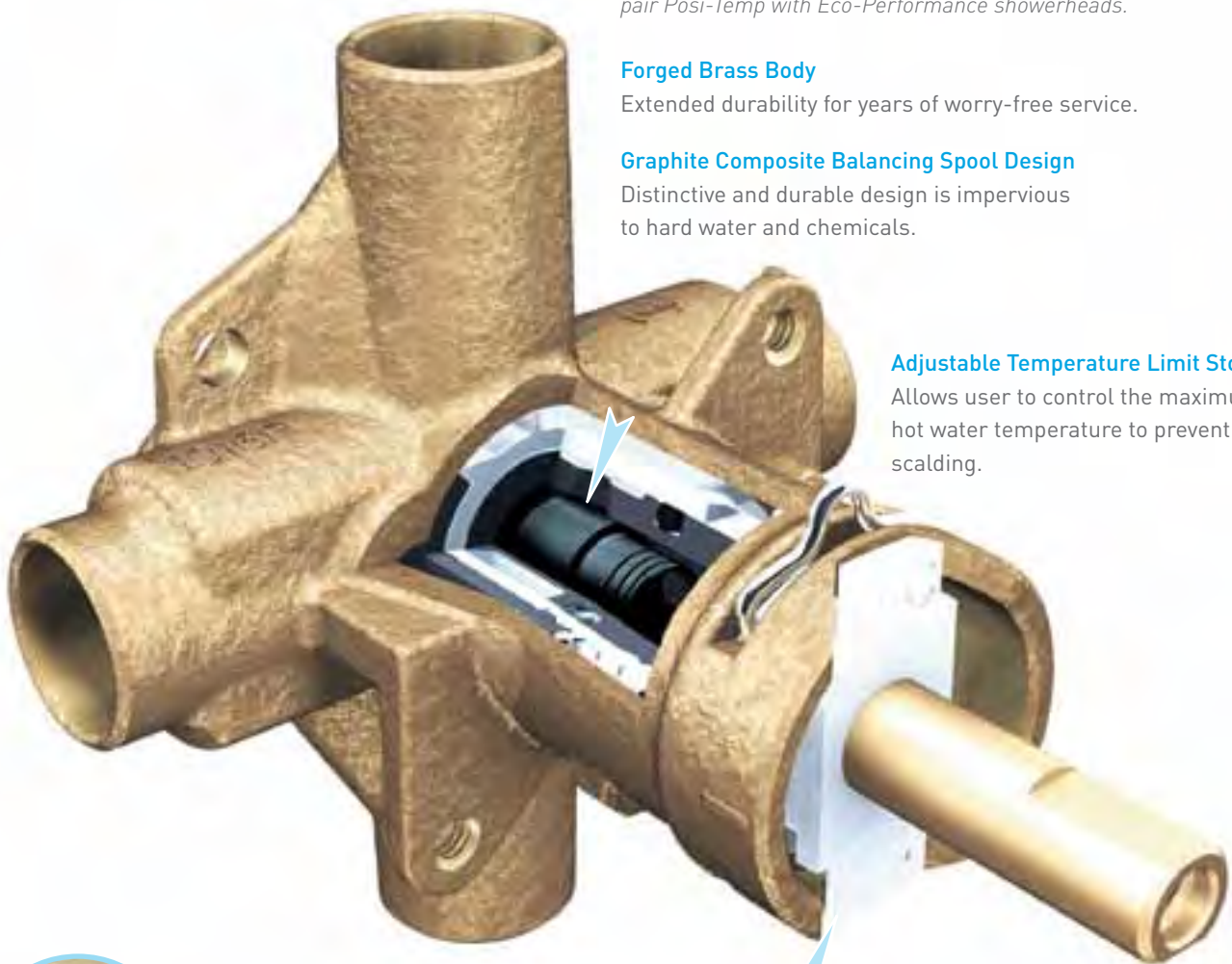
Extended durability for years of worry-free service.

Graphite Composite Balancing Spool Design

Distinctive and durable design is impervious to hard water and chemicals.

Adjustable Temperature Limit Stop

Allows user to control the maximum hot water temperature to prevent scalding.



Optional Integral Stops

Shut off water supply at the valve for quick and easy repairs. Available with or without.

1222 Cartridge

Offers high flow rate for fast tub fills. Easy-to-service design. Can be rotated for back-to-back installations in large-scale projects.



Optional Flush Plugs

Eases pressure tests and line flushing.



Two- or Three-Function Operation

Choose three-function model that allows for two individual spray outlets and one shared function, or two-function model that offers two discrete functions only to meet local codes.

116719 Cartridge

Offers 180° rotational control.

Transfer Valves

FUNCTIONALITY

Transfer – directs water-flow to spray outlets

VERTICAL SPA COMPATIBLE

Yes

TRIM

Standard

INLET SIZE

1/2"

OUTLET SIZE

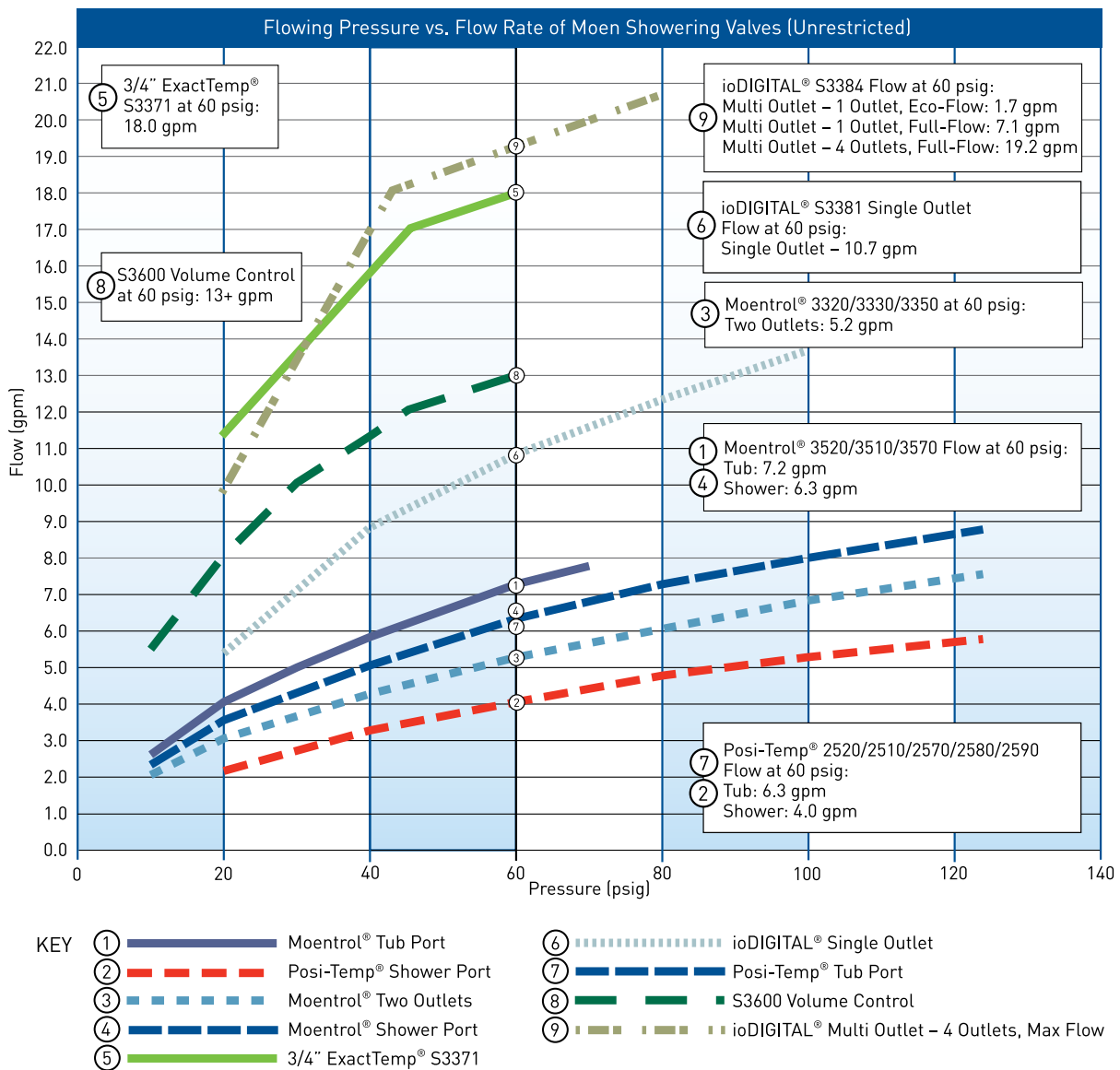
1/2"

Inlet Connection Options



CC


- Use in combination with a Posi-Temp or Moentrol mixing valve to create a custom shower design.
- Pair with either two body sprays, one showerhead or one hand shower to create a custom experience.
- Neutral style trim coordinates with any bath suite trim style.



Vertical Spa Installation Recommendations

Graph Line	Valve	Flow Rate through shower port (GPM) @ 20 PSI	Flow Rate through shower port (GPM) @ 40 PSI	Flow Rate through shower port (GPM) @ 60 PSI	Use with 2- or 3-function transfer	Maximum Components
2	Posi-Temp® 2520, 2510, 2570, 2580, 2590	2.1	3.2	4.0	Yes	Showerhead, hand shower
4	Moentrol® 3520, 3510, 3570	3.5	5.0	6.3	Yes	Showerhead, hand shower
3	Moentrol® Two Outlets 3320, 3330, 3350	*3.0	*4.2	*5.2	No	Showerhead, hand shower or showerhead, 2 body sprays
5	3/4" ExactTemp® S3371	11.4	15.7	18.0	No	4 components: Any combination of showerheads, hand showers and body sprays (4 max)
9	ioDIGITAL® S3384	10.0	17.0	19.2	No	4 components: Any combination of showerheads, hand showers and body sprays (max 3 body sprays to any one outlet)

*Moentrol® Two Outlets flow is the total flow when used in the shared mode.

 ADA Many Moen faucets and shower valve controls meet requirements for the physically challenged.

 The M•PACT® Common Valve System. Install it once, and you can upgrade style at any point in the decorating or construction process—or switch style years down the road—without replacing any faucet plumbing.

Although descriptions are believed correct at publication approval, accuracy cannot be guaranteed.

Moen reserves the right to make product specification changes from time to time, without notice or obligation, and to change or discontinue models.

® ExactTemp, ioDIGITAL, M•PACT, Moen, Moentrol, Posi-Temp, the Moen “Buy it for looks. Buy it for life.” logo and the Moen waterdrop design are Registered Trademarks of Moen Incorporated.



Visit our web site at moen.com

© Moen Incorporated 2012

U.S. Headquarters:
Moen Incorporated
25300 Al Moen Drive
North Olmsted, OH 44070-8022
1-800-BUY-MOEN

Canadian Headquarters:
Moen, Inc.
2816 Bristol Circle, Oakville, Ontario
L6H 5S7
1-800-465-6130

 **MOEN**
Buy it for looks. Buy it for life.®



Buy it for looks. Buy it for life.®

Specifications

DESCRIPTION

- Brass construction
- Cold expansion Pex connections
- Pressure balancing, four port, cycle valve

OPERATION

- Adjustable temperature limit stop to control maximum hot water temperature
- Pressure balancing mechanism maintain selected discharge temperature to $\pm 3^{\circ}\text{F}$

CARTRIDGE

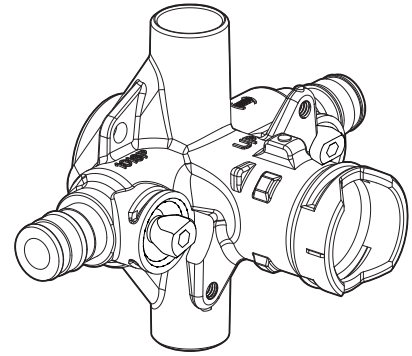
- 1222 cartridge design
- Nonmetallic/nonferrous and stainless steel materials
- Accommodates back to back installations

STANDARDS

- Third party certified to meet ASME A112.18.1/CSA B-125.1 and ASSE 1016, all applicable requirements referenced therein
- Moen's Posi-Temp® and Moentrol® valves with graphite composite spools combined with Moen's Eco-performance showerheads meet the performance requirements of pressure and temperature variation of ASSE1016 when tested as low as 1.5 gpm
- ASTM F-1960 - Standard specification for cold expansion fittings with PEX reinforcing rings for use with Pex tubing

WARRANTY

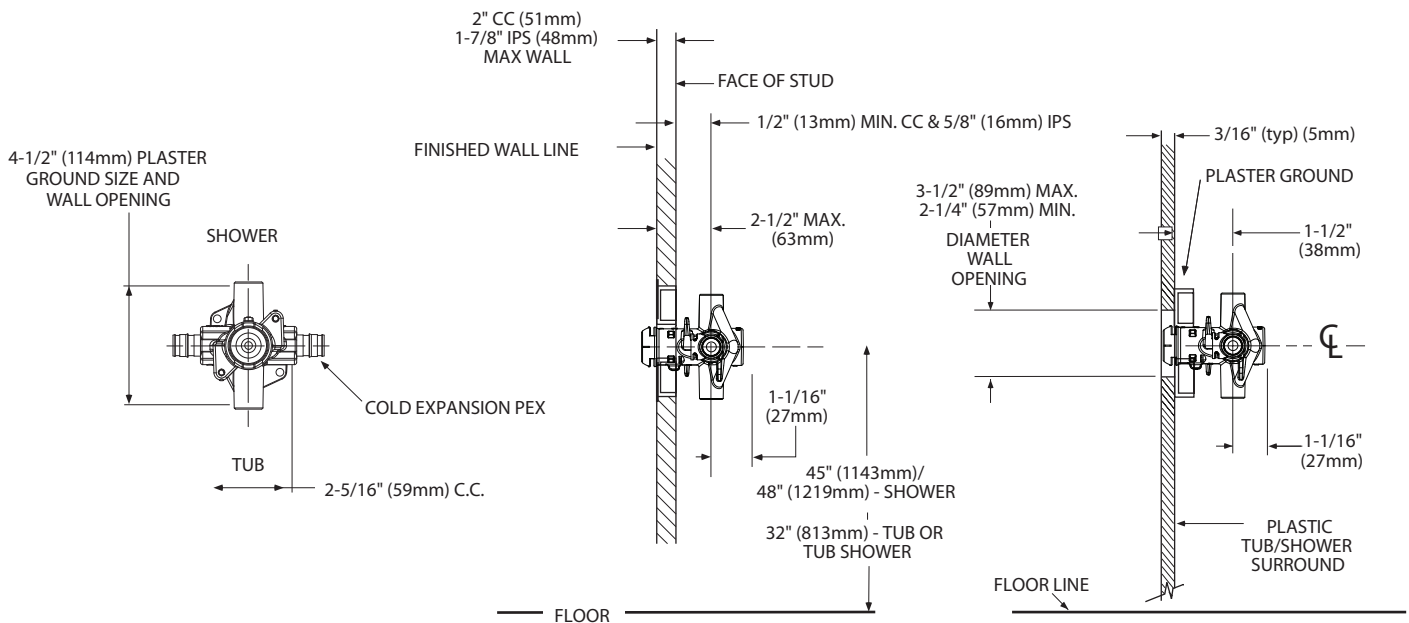
- Lifetime limited warranty against leaks, drips and finish defects to the original consumer purchaser
- 5 year warranty if used in commercial installations



POSI-TEMP® VALVE Pressure-Balancing Valve with cold expansion Pex Connection

Models:

62365 (cold expansion Pex without stops),
62385 (cold expansion Pex with stops)



CRITICAL DIMENSIONS

(DO NOT SCALE)

FOR MORE INFORMATION CALL: 1-800-BUY-MOEN

www.moen.com

ID Infinity Drain



LND4-2 Slotted Pro-Series Center Drain

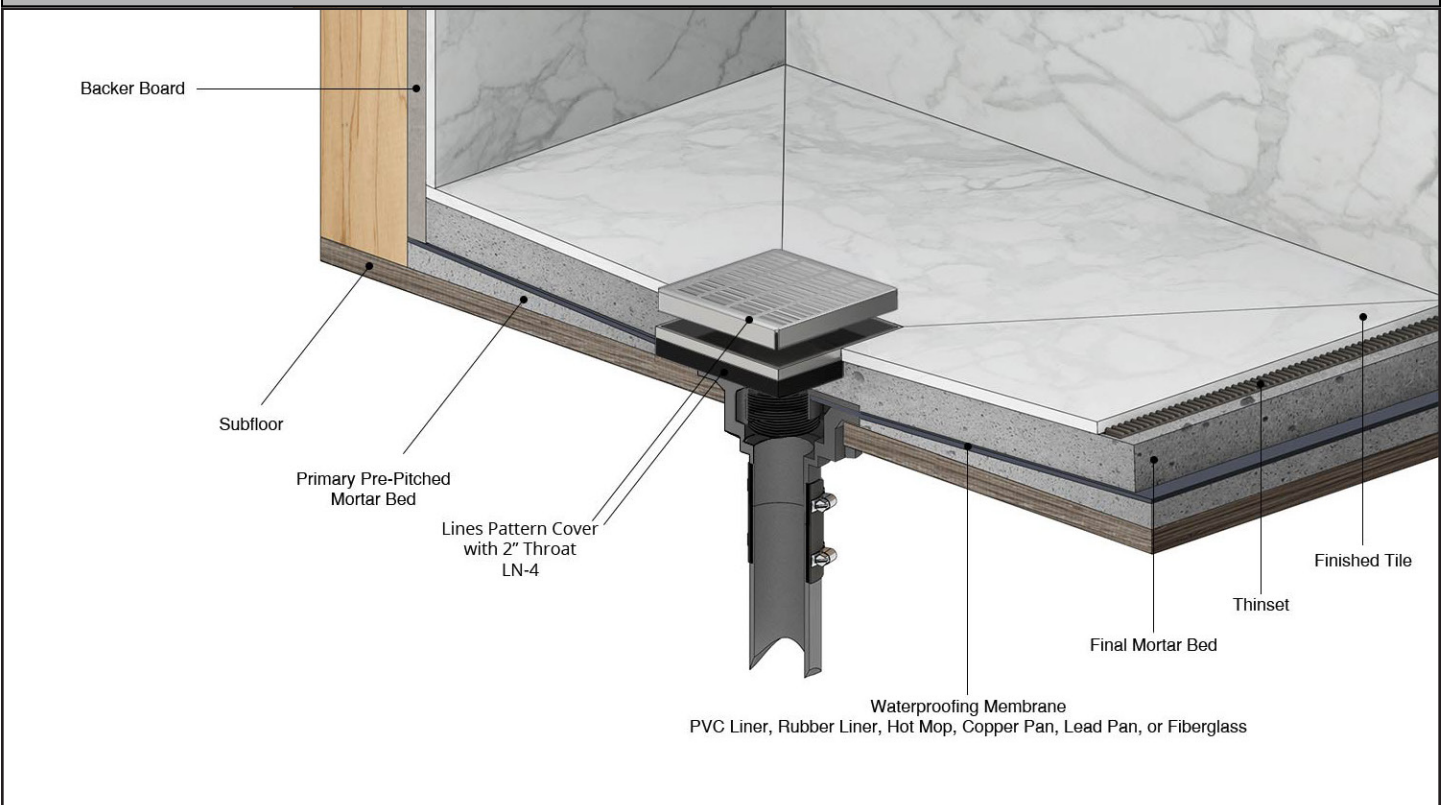
Complete Kits:

- LND4-2I
- LND4-2P
- LND4-2A

Features

- 16 gauge 304L Stainless Steel Cover with ABS base
- 11/16" Strainer Depth
- Interior and Exterior use
- Grate can be removed completely for cleaning
- Requires traditional 4-way floor pitch
- Flow rate 8 GPM with 2" outlet

Installation



Care & Maintenance

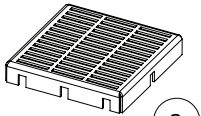
LND4-2 stainless steel tile inserts are made of 304L stainless steel. This material is non-porous, hygienic, rust-free and extremely durable. Bar Keepers Friend® and Soft Scrub® are commonly available products that can be used to protect and clean your Satin Stainless drain cover. For stains that have been left for an excessive amount of time, stronger cleaning agents such as Steel Brite® may be needed. For all finishes we recommend using mild soap and a soft cloth for cleaning. DO NOT use any abrasive cleaners, scrub pads or allow household cleaning agents, such as bleach, to sit on the drain cover for a long period of time. Stainless steel does not rust. External factors, such as contamination from other highly ferrous metals, built up road salt, sea salt, or chlorine may have caused "surface" rust which can be removed using Barkeepers Friend®, Soft Scrub®, or Steel Brite Cleaner. Always follow the directions on the bottle. Follow proper maintenance procedures to prevent excessive surface rust. In areas of frequent exposure to salt, chlorine, and other chemical compounds, maintenance of the stainless grates should be performed at least 2-3 times per year.

Infinity Drain
145 Dixon Avenue
Amityville, NY 11701
Phone: 516.767.6786
Fax: 516.740.3066
www.InfinityDrain.com

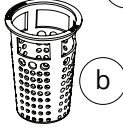


NOTE: Installer must verify all rough-in dimensions prior to installation and consult local and national codes. Conformity and compliance to local and national codes are the responsibility of the installer.

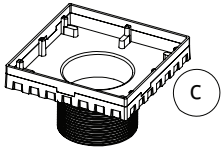
LND4-2 Specifications



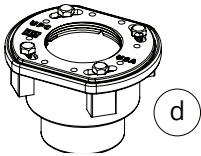
(a)



(b)



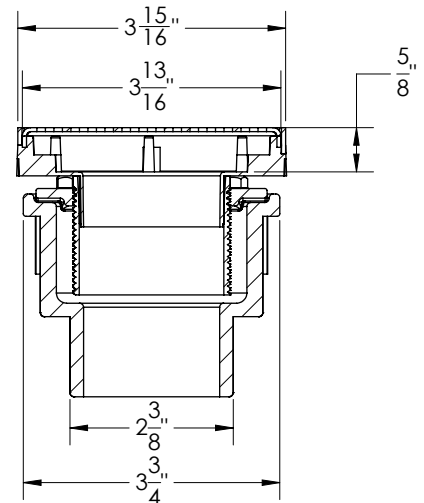
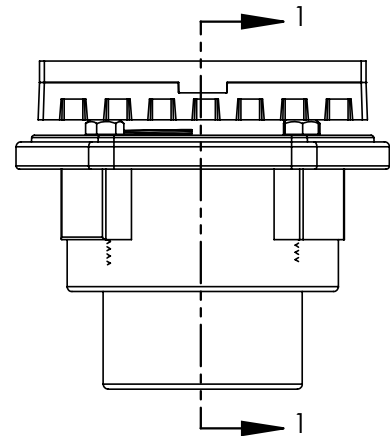
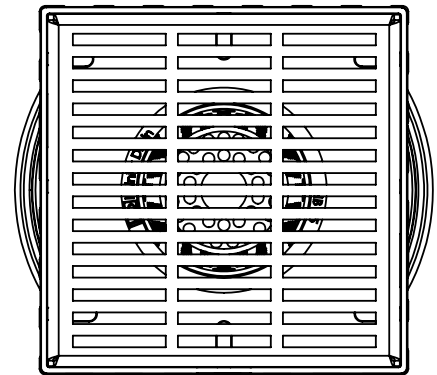
(c)



(d)

- (a) LNS 4 - Decorative Cover
- (b) HB 65 - Hair Basket
- (c) TL 42 - 2" Throat
- (d) 2 inch Drain Body

- Finishes Available:
- Satin Stainless (SS)
 - Polished Stainless (PS)
 - Oil Rubbed Bronze (ORB)
 - Satin Bronze (SB)
 - Matte Black (BK)



SECTION 1-1

Components:

LND4-2I

4" x 4" LND4 Kit with Cast Iron Drain Body
2" Throat. 2" No Hub Outlet.

Kit Includes:

- 1 - LNS4 - 4" x 4" Stainless Steel Cover
- 1 - TL 42 - ABS 2" Throat
- 1 - HMK-C2-D Hair Maintenance Kit:
 - 1 - HB 65 Hair Basket
 - 1 - DKEY Lift Out Key
- 1 - CDI 22 Cast Iron Drain Body Assembly

LND4-2A

4" x 4" LND4 Kit with ABS Drain Body
2" Throat. 2" No Hub Outlet.

Kit Includes:

- 1 - LNS4 - 4" x 4" Stainless Steel Cover
- 1 - TL 42 - ABS 2" Throat
- 1 - HMK-C2-D Hair Maintenance Kit:
 - 1 - HB 65 Hair Basket
 - 1 - DKEY Lift Out Key
- 1 - CDA 22 ABS Drain Body Assembly

LND4-2P

4" x 4" LND4 Kit with PVC Drain Body
2" Throat. 2" No Hub Outlet.

Kit Includes:

- 1 - LNS4 - 4" x 4" Stainless Steel Cover
- 1 - TL 42 - ABS 2" Throat
- 1 - HMK-C2-D Hair Maintenance Kit:
 - 1 - HB 65 Hair Basket
 - 1 - DKEY Lift Out Key
- 1 - CDP 22 PVC Drain Body Assembly

Infinity Drain
145 Dixon Avenue
Amityville, NY 11701
Phone: 516.767.6786
Fax: 516.740.3066
www.InfinityDrain.com



NOTE: Installer must verify all rough-in dimensions prior to installation and consult local and national codes. Conformity and compliance to local and national codes are the responsibility of the installer.

**CONCEALED TRAPWAY CADET® 3 FloWise®
RIGHT HEIGHT™ ELONGATED TOILET**

- 2989.101**
 - Vitreous china
 - Meets definition for HET (High Efficiency Toilet)
 - High efficiency (4.8 Lpf/1.28 gpf)
 - Meets EPA WaterSense® criteria
 - 305mm (12") rough-in
 - 16-1/2" rim height for accessible applications
 - EverClean® surface inhibits the growth of stain- and odor-causing bacteria, mold, and mildew on the surface
 - Features the **Cadet® 3 Flushing System**
 - Elongated siphon action jetted bowl with smooth-sided, concealed trapway
 - Generous 9" x 8" water surface area
 - PowerWash™ rim scrubs bowl with pressurized water every flush
 - Oversized 3" flush valve
 - Chrome-plated trip lever
 - Includes top mounting, plastic Slow-Close seat and cover with easy lift-off feature for simple removal and attachment for cleaning, packed with bowl
 - 2 color-matched bolt hole covers
 - 100% factory flush tested
 - Lifetime warranty on chinaware, 5 year warranty on all mechanical parts, and 1 year warranty on seat

- 3075.000** Right Height™ Elongated Bowl with Seat
- 4000.101** Tank

Nominal Dimensions:

768 x 400 x 768mm

(30-1/4" x 15-3/4" x 30-1/4")

Fixture and toilet seat only, supply by others

Compliance Certifications -

Meets or Exceeds the Following Specifications:

- ASME A112.19.2-2008/CSA B45.1-08 for Vitreous China Fixtures
- US EPA WaterSense® Specification for HET's

To Be Specified:

- Color: White
- Supply with stop:



MEETS THE AMERICANS WITH DISABILITIES ACT GUIDELINES AND ANSI A117.1 REQUIREMENTS FOR ACCESSIBLE AND USABLE BUILDING FACILITIES-CHECK LOCAL CODES.

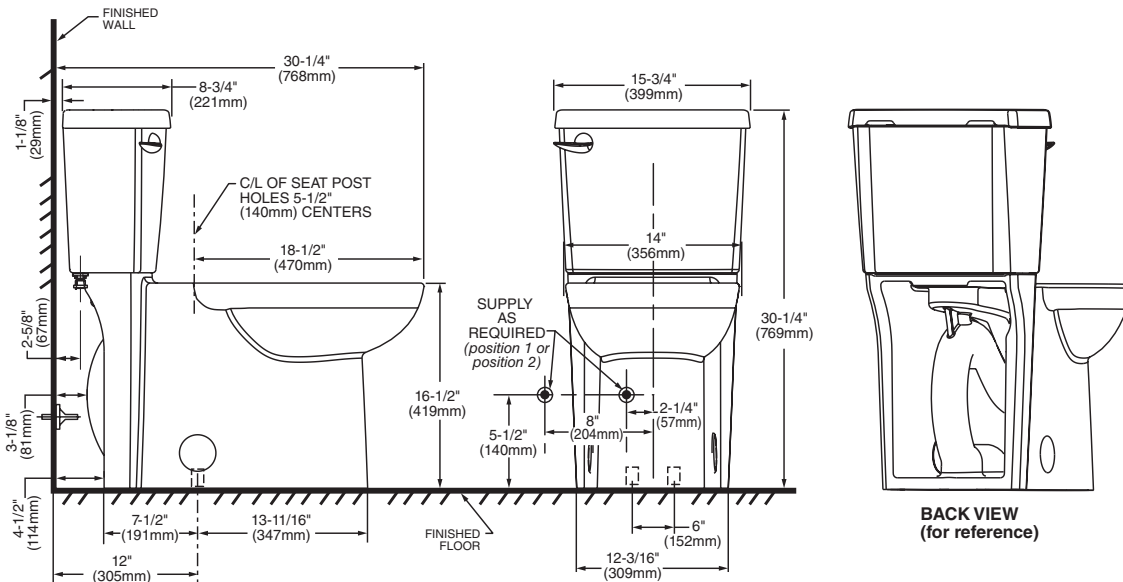


SEE REVERSE FOR ROUGHING-IN DIMENSIONS



CADET® 3
Flushing System

**CONCEALED TRAPWAY CADET® 3 FloWise®
RIGHT HEIGHT™ ELONGATED TOILET**
VITREOUS CHINA



IMPORTANT: Water supply on the wall is required at 2-1/4" or 8" from centerline of the toilet (see rough-in). First suggested position is hidden behind the toilet. The geometry of the toilet gives space for this installation. The second suggested position is next to the toilet. Between these two positions, the space for the supply between wall and toilet is limited to 4-1/2". In this case, check your supply and hose dimensions.

NOTES:

THIS COMBINATION IS DESIGNED TO ROUGH-IN AT A MINIMUM DIMENSION OF 305MM (12") FROM FINISHED WALL TO C/L OF OUTLET.
* DIMENSIONS SHOWN FOR LOCATION OF SUPPLY ARE SUGGESTED.
SUPPLY NOT INCLUDED WITH FIXTURE AND MUST BE ORDERED SEPARATELY.

IMPORTANT: Dimensions of fixtures are nominal and may vary within the range of tolerance established by ANSI Standard A112.19.2. These measurements are subject to change or cancellation. No responsibility is assumed for use of superseded or voided pages.



MEETS THE AMERICANS WITH DISABILITIES ACT GUIDELINES AND ANSI A117.1 REQUIREMENTS FOR ACCESSIBLE AND USABLE BUILDING FACILITIES-CHECK LOCAL CODES.